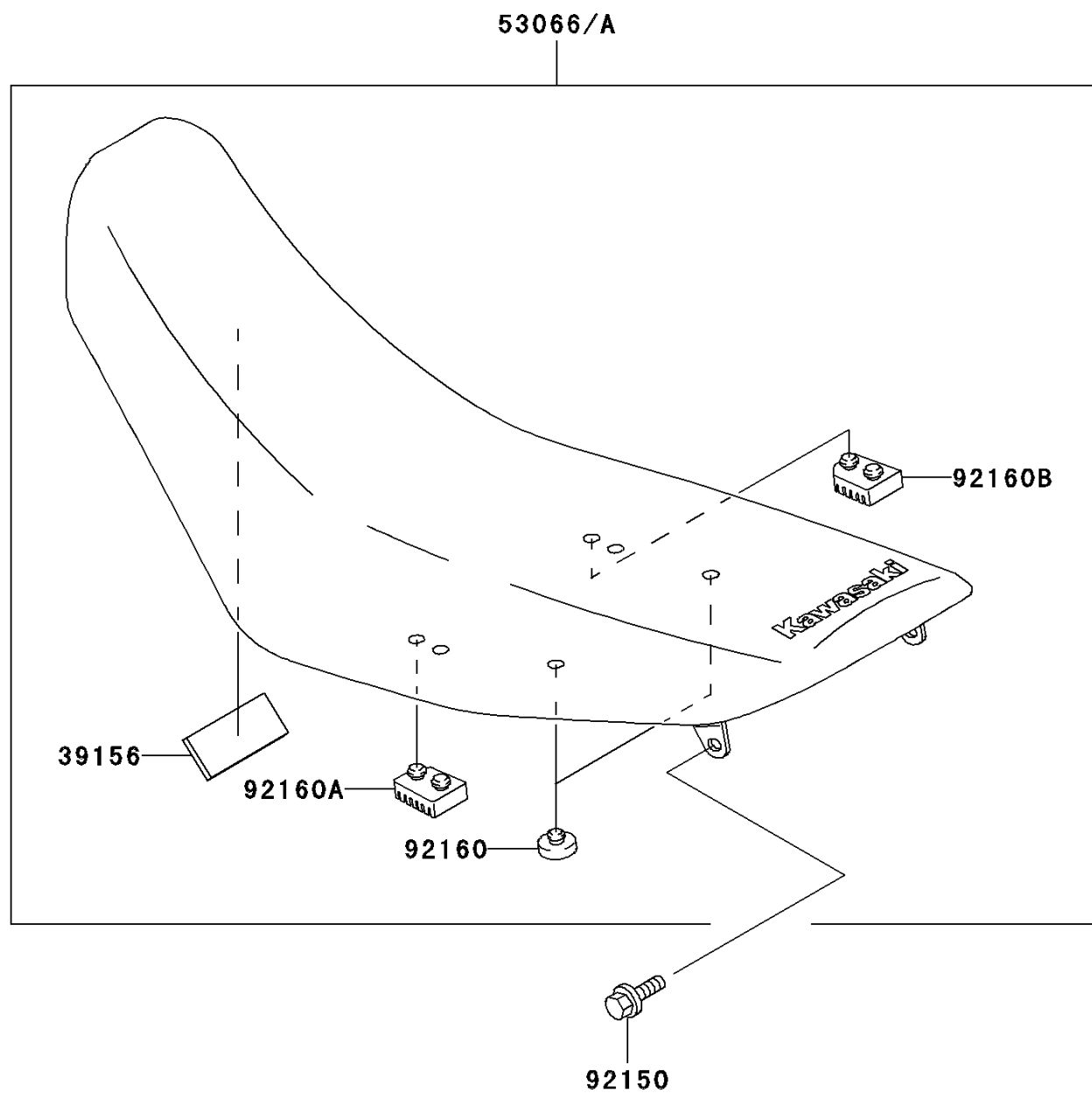


## 2004 KDX™200 PARTS DIAGRAM

Seat

F2510



## 2004 KDX™200 PARTS LIST

Seat

ITEM NAME	PART NUMBER	QUANTITY
PAD (Ref # 39156)	39156-1419	1
SEAT-ASSY,DUAL,BLACK (Ref # 53066A)	53066-1052-MW	1
BOLT,6X14 (Ref # 92150)	92150-1340	1
DAMPER (Ref # 92160)	92160-1396	1
DAMPER,SEAT,LH (Ref # 92160A)	92160-1575	1
DAMPER,SEAT,RH (Ref # 92160B)	92160-1576	1