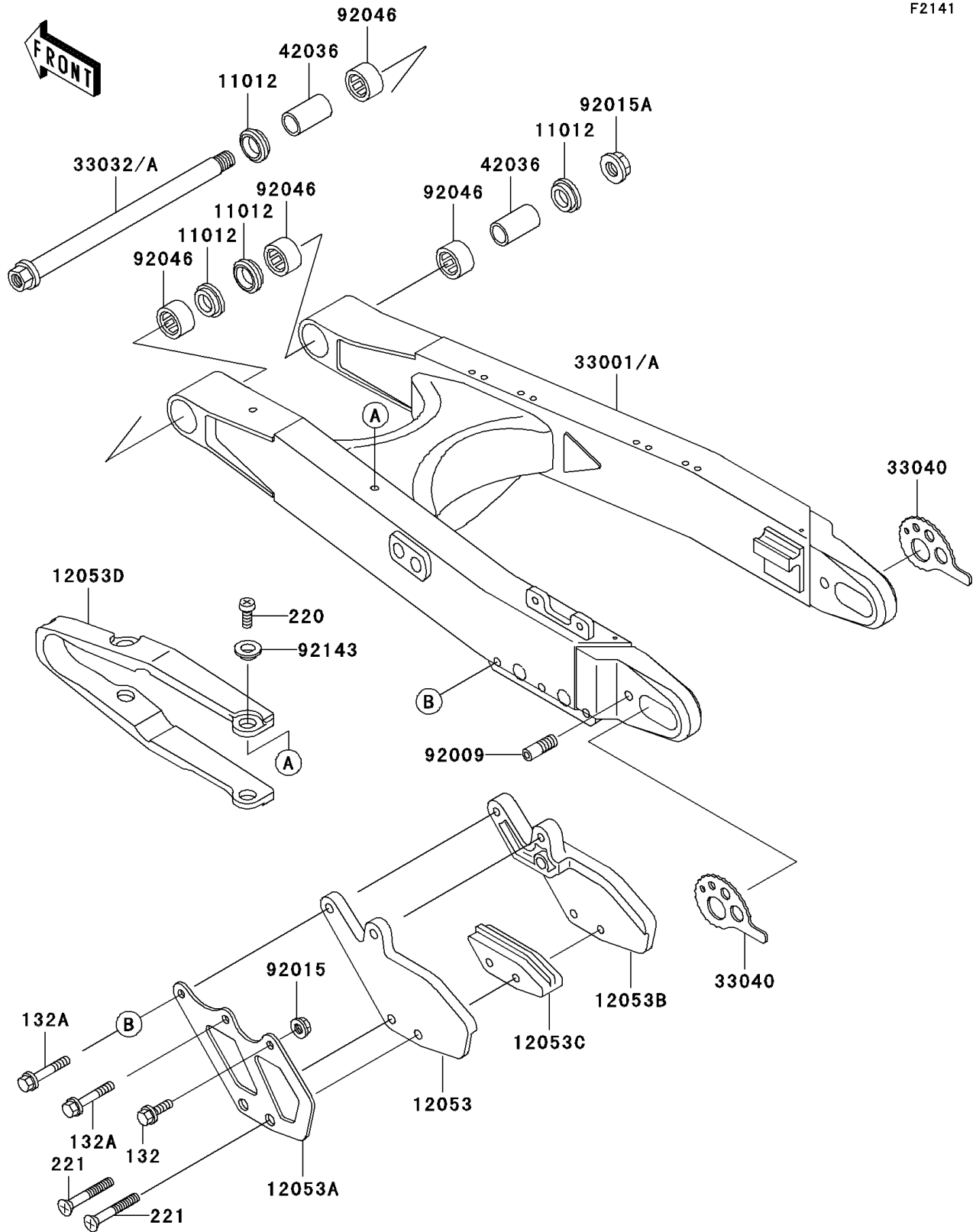


2004 KDX™200 PARTS DIAGRAM

Swingarm

F2141



2004 KDX™200 PARTS LIST

Swingarm

ITEM NAME	PART NUMBER	QUANTITY
BOLT-FLANGED-SMALL (Ref # 132)	132G0616	1
BOLT-FLANGED-SMALL (Ref # 132A)	132G0635	1
SCREW-PAN-CROS,6X10 (Ref # 220)	220B0610	1
SCREW-CSK-CROS,6X45 (Ref # 221)	221B0645	1
CAP,SWING ARM (Ref # 11012)	11012-1259	1
GUIDE-CHAIN,RR,INSIDE (Ref # 12053)	12053-1234	1
GUIDE-CHAIN,RR,OUTSIDE (Ref # 12053A)	12053-1235	1
GUIDE-CHAIN,RR,OUTSIDE (Ref # 12053B)	12053-1236	1
GUIDE-CHAIN,DRIVE,RR,INSIDE (Ref # 12053C)	12053-1270	1
GUIDE-CHAIN,DRIVE,FR (Ref # 12053D)	12053-1328	1
ARM-COMP-SWING,SILVER (Ref # 33001)	33001-1451-CE	1
SHAFT-SWING ARM (Ref # 33032A)	33032-1137	1
ADJUSTER-CHAIN (Ref # 33040)	33040-1113	1
SLEEVE,SWING ARM (Ref # 42036)	42036-1056	1
SCREW,SET,10X29 (Ref # 92009)	92009-1686	1
NUT,FLANGED,6MM (Ref # 92015)	92015-1078	1
NUT,14MM (Ref # 92015A)	92015-1407	1
BEARING-NEEDLE,TA202715ZE (Ref # 92046)	92046-1118	1
COLLAR (Ref # 92143)	92143-1156	1