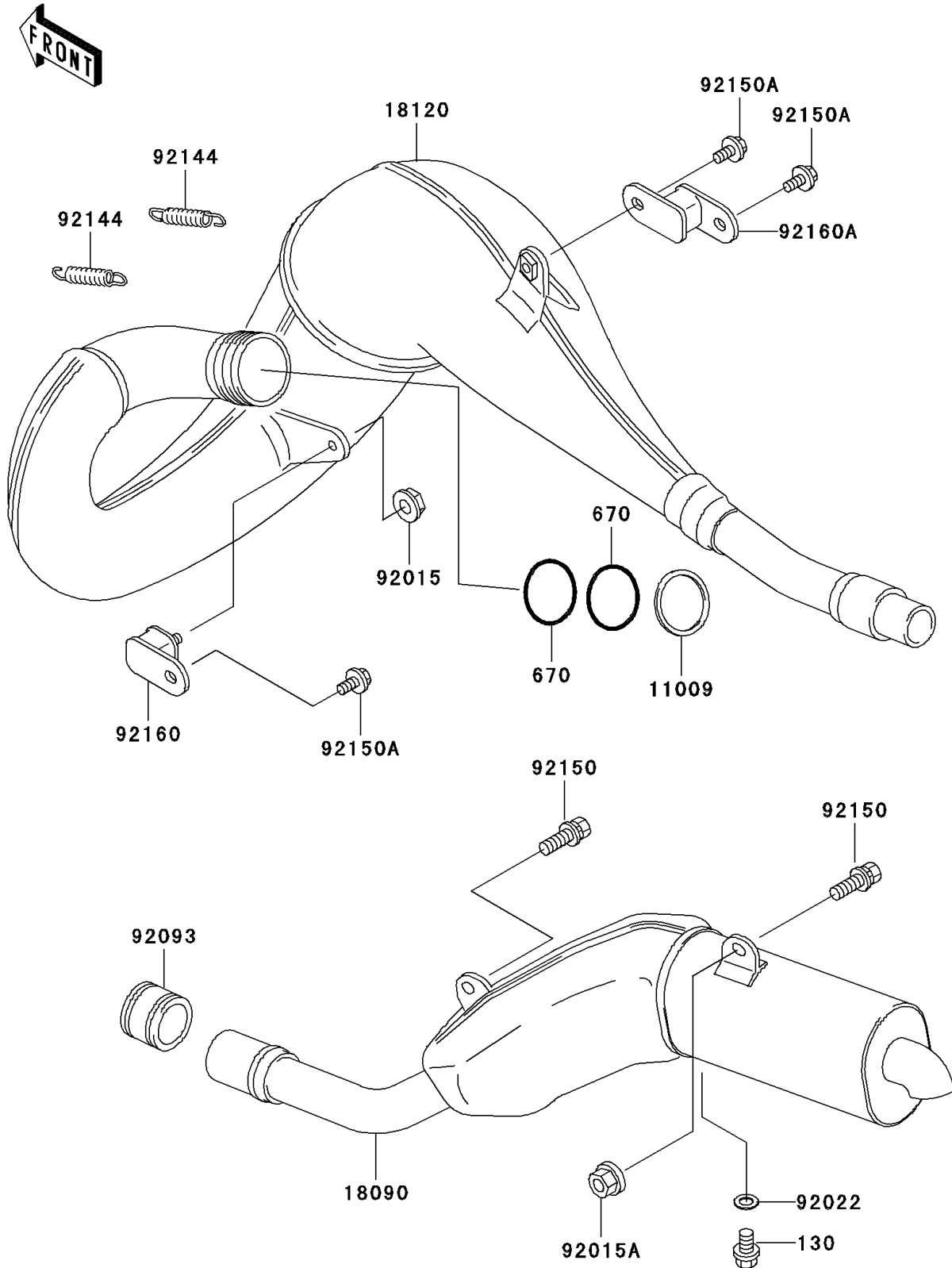


2004 KDX™200 PARTS DIAGRAM

Muffler(s)

E1140



2004 KDX™200 PARTS LIST

Muffler(s)

| ITEM NAME | PART NUMBER | QUANTITY |
|---------------------------------------|-------------|----------|
| BOLT-FLANGED (Ref # 130) | 130J0812 | 1 |
| O RING,39MM (Ref # 670) | 670E3039 | 1 |
| GASKET,EXHAUST PIPE (Ref # 11009) | 11009-1995 | 1 |
| BODY-COMP-MUFFLER (Ref # 18090) | 18090-1566 | 1 |
| CHAMBER-EXHAUST (Ref # 18120) | 18120-1074 | 1 |
| NUT,6MM (Ref # 92015) | 92015-1365 | 1 |
| NUT,FLANGED,LOCK,8MM (Ref # 92015A) | 92015-1668 | 1 |
| WASHER,8.2X14X1.0 (Ref # 92022) | 92022-1488 | 1 |
| SEAL,MUFFLER CONNECTING (Ref # 92093) | 92093-1328 | 1 |
| SPRING (Ref # 92144) | 92144-1035 | 1 |
| BOLT,8X20 (Ref # 92150) | 92150-1859 | 1 |
| BOLT,6X12 (Ref # 92150A) | 92150-1891 | 1 |
| DAMPER,MUFFLER,FR (Ref # 92160) | 92160-1176 | 1 |
| DAMPER,MUFFLER,RR (Ref # 92160A) | 92160-1201 | 1 |