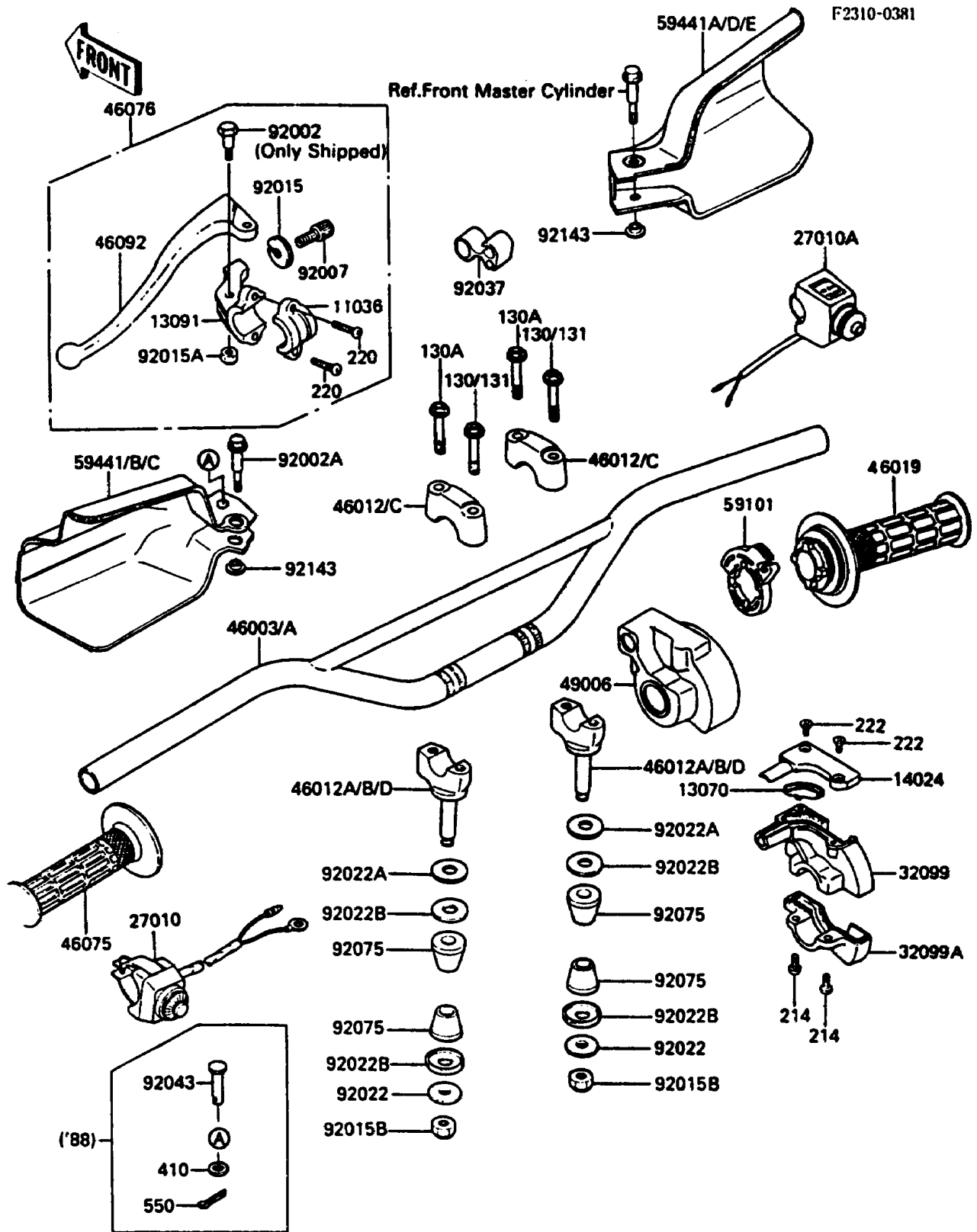


## 1986 KDX™200 PARTS DIAGRAM

Handlebar



## 1986 KDX™200 PARTS LIST

Handlebar

ITEM NAME	PART NUMBER	QUANTITY
BRACKET-A,LEVER HOLDER (Ref # 11036)	11036-1297	1
GUIDE,THROTTLE PEACE (Ref # 13070)	13070-1073	1
HOLDER,CLUTCH LEVER (Ref # 13091)	13091-1131	1
COVER,THROTTLE CASE UPP (Ref # 14024)	14025-1646	1
SWITCH,ENGINE STOP (Ref # 27010)	27010-1161	1
SWITCH,LIGHTING (Ref # 27010A)	27010-1178	1
CASE,THROTTLE UPP (Ref # 32099)	32099-1036	1
CASE,THROTTLE LWR (Ref # 32099A)	32099-1044	1
HANDLE (Ref # 46003)	46003-1224	1
HOLDER-HANDLE,UPP (Ref # 46012)	46012-1119	1
HOLDER-HANDLE (Ref # 46012A)	46012-1138	1
GRIP-ASSY,THROTTLE (Ref # 46019)	46019-1054	1
GRIP,LH (Ref # 46075)	46075-1024	1
LEVER-ASSY-GRIP,CLUTCH (Ref # 46076)	46076-1118	1
LEVER-GRIP,CLUTCH (Ref # 46092)	46092-1110	1
BOOT,THROTTLE CASE (Ref # 49006)	49006-1097	1
REEL,THROTTLE (Ref # 59101)	59101-1103	1
COVER-HANDLE,LH,L.GREEN (Ref # 59441)	59441-1062-6W	1
COVER-HANDLE,RH,L.GREEN (Ref # 59441A)	59441-1063-6W	1
BOLT,LEVER SET (Ref # 92002)	92002-1150	1
BOLT,LEVER SET (Ref # 92002A)	92002-1718	1
SCREW,CABLE ADJUST,7MM (Ref # 92007)	92007-1143	1
NUT,CABLE ADJUST (Ref # 92015)	46056-006	1
NUT,LOCK,6MM (Ref # 92015A)	92019-008	1
NUT,LOCK,10MM (Ref # 92015B)	92019-021	1
WASHER,10.2X28X2 (Ref # 92022)	92022-1088	1
WASHER,12.4X28X2.3,BLACK (Ref # 92022A)	92022-1303	1
WASHER (Ref # 92022B)	92022-1737	1
CLAMP,BRAKE HOSE (Ref # 92037)	92037-1629	1

## 1986 KDX™200 PARTS LIST

Handlebar

ITEM NAME	PART NUMBER	QUANTITY
DAMPER (Ref # 92075)	92075-1776	1
COLLAR,L=4.5 (Ref # 92143)	92027-1965	1
BOLT-FLANGED,8X45 (Ref # 130A)	130G0845	1
BOLT-FLANGED,8X30 (Ref # 131)	131G0830	1
SCREW-PAN+- (Ref # 214)	214C0518	1
SCREW-PAN-CROS (Ref # 220)	220C0514	1
SCREW-CSK-RD-CROS (Ref # 222)	222E0412	1