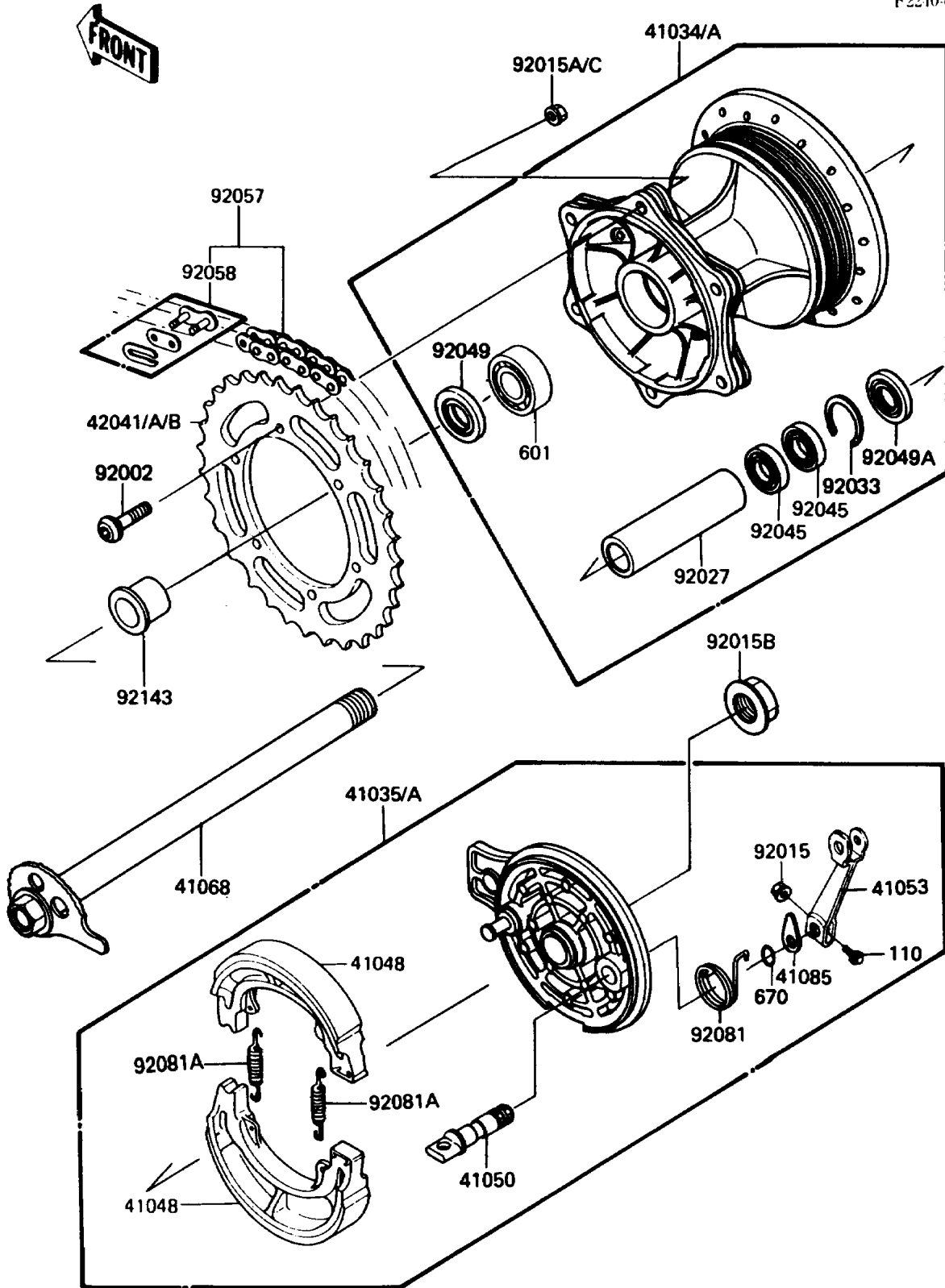


## 1986 KDX™200 PARTS DIAGRAM

Rear Hub

F2210-0185



## 1986 KDX™200 PARTS LIST

Rear Hub

ITEM NAME	PART NUMBER	QUANTITY
DRUM-ASSY,RR BRAKE (Ref # 41034)	41034-1146	1
PANEL-ASSY-BRAKE,RR (Ref # 41035)	41035-1200	1
SHOE-BRAKE (Ref # 41048)	41048-1063	1
CAM-BRAKE (Ref # 41050)	41050-1064	1
LEVER-BRAKE CAM,RR (Ref # 41053)	41053-1066	1
AXLE,RR (Ref # 41068)	41068-1211	1
SPROCKET-HUB,48T,AL (Ref # 42041)	42041-1103	1
SPROCKET-HUB,49T (Ref # 42041A)	42041-1105	1
SPROCKET-HUB,47T,AL (Ref # 42041B)	42041-1194	1
BOLT,8MM (Ref # 92002)	92002-1387	1
NUT,FLANGED,6MM (Ref # 92015)	92015-1078	1
NUT,8MM (Ref # 92015A)	92015-1143	1
NUT,20MM (Ref # 92015B)	92015-1461	1
COLLAR,L=103 (Ref # 92027)	92027-1827	1
RING-SNAP,32MM (Ref # 92033)	92033-1191	1
BEARING-BALL,6804LU/2A (Ref # 92045)	92045-1135	1
SEAL-OIL,BJNC2 25425 (Ref # 92049)	92049-1203	1
SEAL-OIL,BJN 30374 (Ref # 92049A)	92049-1205	1
CHAIN,DRIVE,DID520KX110L (Ref # 92057)	92057-1215	1
JOINT-CHAIN (Ref # 92058)	92058-1051	1
SPRING,BRAKE CAM LEVER RETURN (Ref # 92081)	92081-1615	1
SPRING,BRAKE SHOE (Ref # 92081A)	92081-1766	1
COLLAR,L=25 (Ref # 92143)	92027-1960	1
BOLT,6X30 (Ref # 110)	110G0630	1
BEARING-BALL,#6004UC3 (Ref # 601)	601B6004U	1
O RING,12MM (Ref # 670)	670B2012	1