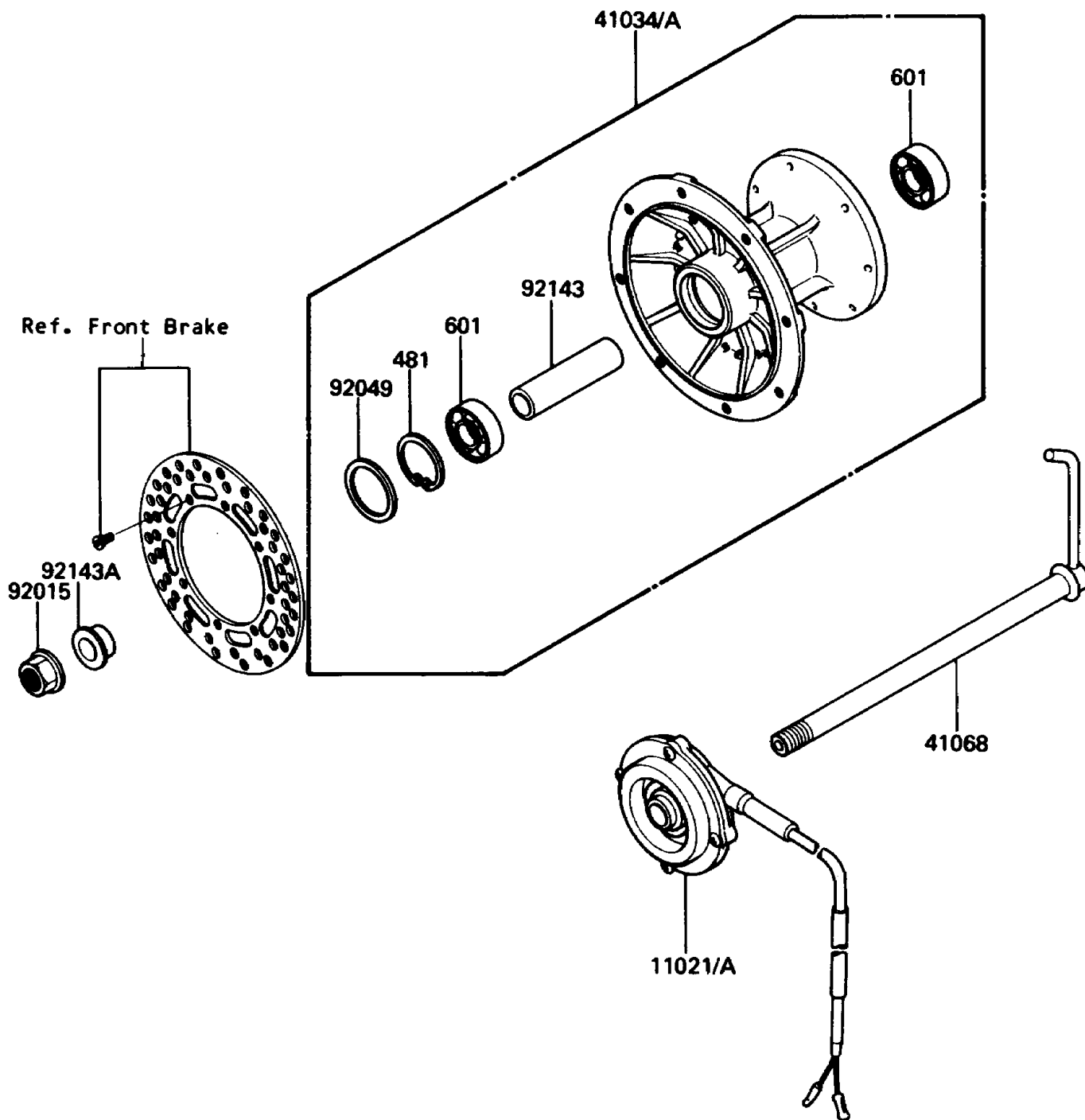


## 1986 KDX™200 PARTS DIAGRAM

Front Hub

F2230-0135



## 1986 KDX™200 PARTS LIST

Front Hub

| ITEM NAME                               | PART NUMBER | QUANTITY |
|---|-------------|----------|
| CASE-ASSY,DISTANCE SENSOR (Ref # 11021) | 11021-1017  | 1        |
| DRUM-ASSY,FRONT BRAKE (Ref # 41034)     | 41034-1141  | 1        |
| AXLE,FR (Ref # 41068)                   | 41068-1210  | 1        |
| NUT,FLANGED,14MM (Ref # 92015)          | 92015-1032  | 1        |
| SEAL-OIL,MH20354.5 (Ref # 92049)        | 92049-1176  | 1        |
| COLLAR,15.2X22.2X75 (Ref # 92143)       | 92027-1958  | 1        |
| COLLAR,L=12 (Ref # 92143A)              | 92027-1959  | 1        |
| CIRCLIP-TYPE-C,35MM (Ref # 481)         | 481J3500    | 1        |
| BEARING-BALL,#6202UC3 (Ref # 601)       | 601B6202U   | 1        |