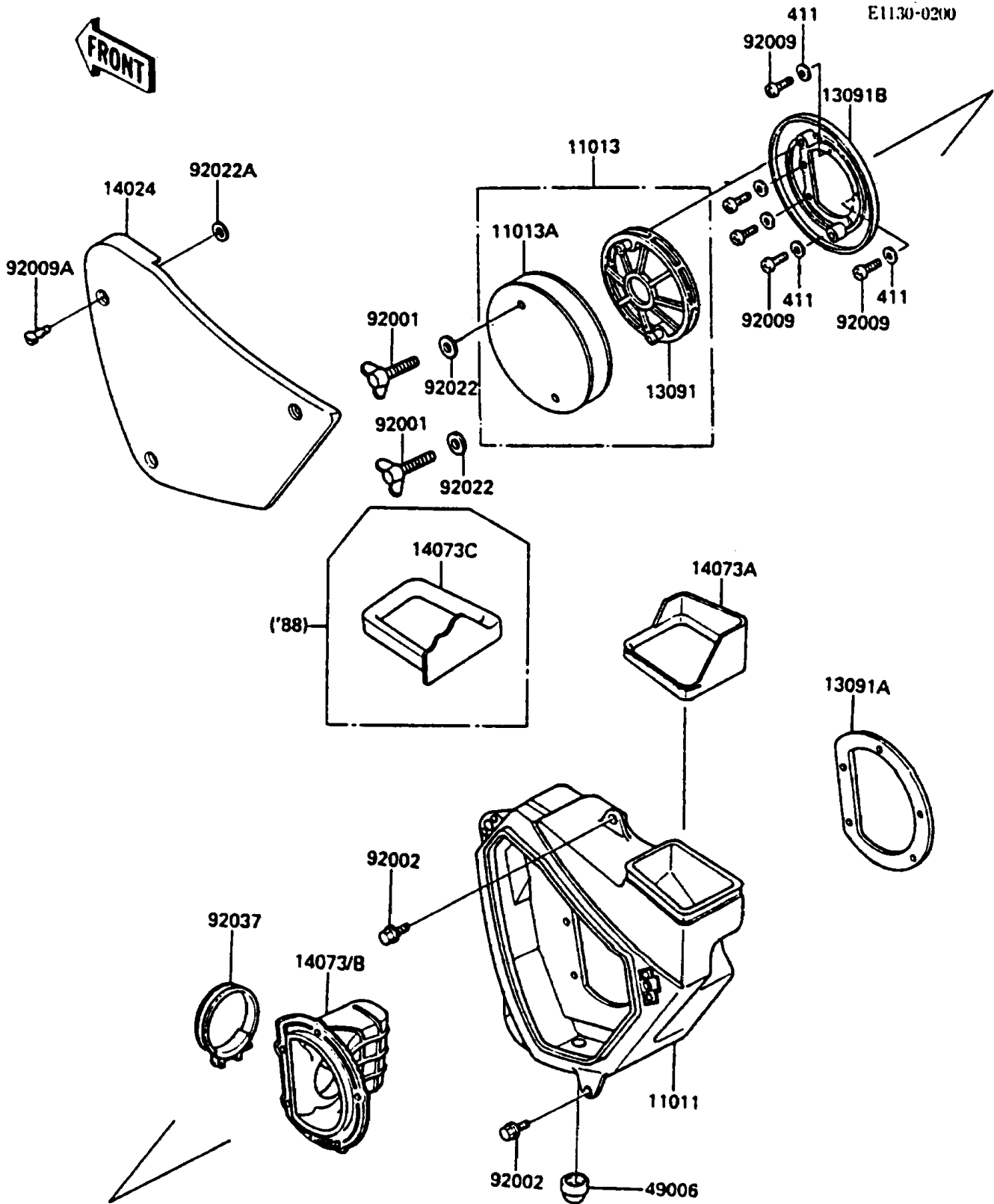


1986 KDX™200 PARTS DIAGRAM

Air Cleaner



1986 KDX™200 PARTS LIST

Air Cleaner

ITEM NAME	PART NUMBER	QUANTITY
CASE-AIR FILTER (Ref # 11011)	11011-1205	1
ELEMENT-AIR FILTER (Ref # 11013)	11013-1110	1
ELEMENT-AIR FILTER (Ref # 11013A)	11013-1111	1
HOLDER (Ref # 13091)	13091-1265	1
HOLDER,DUCT (Ref # 13091A)	13091-1266	1
HOLDER,ELEMENT (Ref # 13091B)	13091-1267	1
COVER,AIR FILTER (Ref # 14024)	14024-1620	1
DUCT,AIR FILTER (Ref # 14073)	14073-1233	1
DUCT,INTAKE (Ref # 14073A)	14073-1234	1
BOOT,AIR FILTER (Ref # 49006)	49006-1156	1
BOLT,WING,6X40 (Ref # 92001)	92001-1685	1
BOLT,6X16 (Ref # 92002)	92002-1461	1
SCREW,5X14 (Ref # 92009)	92009-1341	1
SCREW (Ref # 92009A)	92009-1407	1
WASHER,6.5X20X1.6 (Ref # 92022)	92022-125	1
WASHER (Ref # 92022A)	92022-1743	1
CLAMP,AIR FILTER (Ref # 92037)	92037-171	1
WASHER-PLAIN,5MM (Ref # 411)	411B0500	1