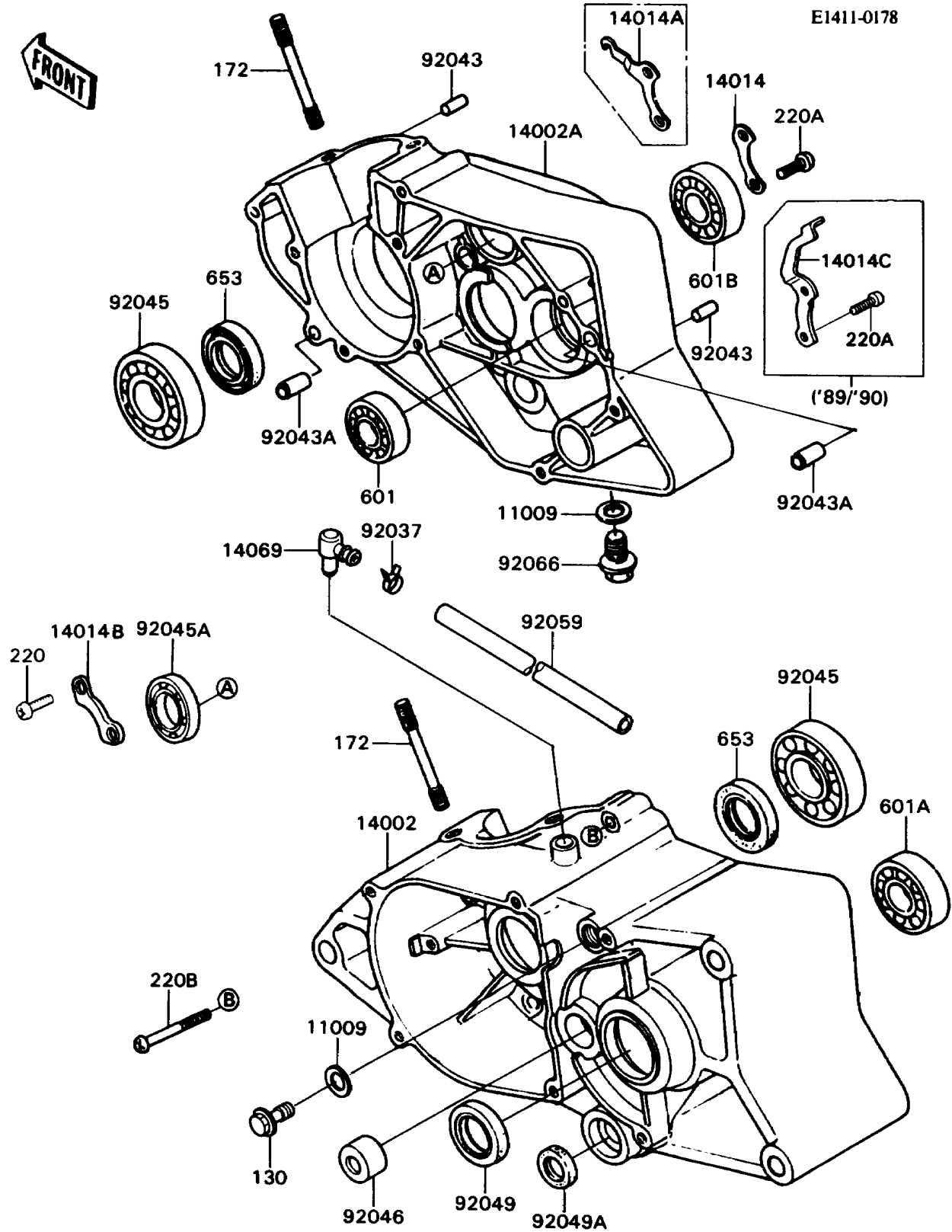


1988 KD80N PARTS DIAGRAM

Crankcase



1988 KD80N PARTS LIST

Crankcase

ITEM NAME	PART NUMBER	QUANTITY
GASKET,10.5X16X1,DRAIN PLUG (Ref # 11009)	92065-058	1
CRANKCASE,LH (Ref # 14002)	14002-1475	1
CRANKCASE,RH (Ref # 14002A)	14002-1521	1
PLATE-POSITION (Ref # 14014)	14014-1014	1
PLATE-POSITION (Ref # 14014A)	14014-1061	1
PLATE-POSITION,CHANGE DRUM (Ref # 14014B)	14014-1093	1
BREATHER (Ref # 14069)	14069-003	1
CLAMP,TUBE (Ref # 92037)	92037-1461	1
PIN,4.2X6X12 (Ref # 92043)	92043-1262	1
PIN,6.2X8X14 (Ref # 92043A)	92043-1263	1
BEARING-BALL,R-6304C3 (Ref # 92045)	92045-1059	1
BEARING-BALL,6804 (Ref # 92045A)	92045-1171	1
BEARING-NEEDLE,BK1312 NTN (Ref # 92046)	92046-1034	1
SEAL-OIL,SC22325 (Ref # 92049)	92049-1048	1
SEAL-OIL,TB13225.5 (Ref # 92049A)	92051-005	1
TUBE,6X9X360 (Ref # 92059)	92059-103	1
PLUG,DRAIN (Ref # 92066)	92066-1241	1
BOLT-FLANGED (Ref # 130)	130H1020	1
BOLT-STUD,8X95 (Ref # 172)	172G0895	1
SCREW-PAN-CROS,6X10 (Ref # 220)	220B0610	1
SCREW-PAN-CROS,6X14 (Ref # 220A)	220B0614	1
SCREW-PAN-CROS,6X40,BLACK (Ref # 220B)	220C0640	1
BEARING-BALL,#6201C3 (Ref # 601)	601B6201	1
BEARING-BALL,#6203C3 (Ref # 601A)	601B6203	1
BEARING-BALL,#6203ZC3 (Ref # 601B)	601B6203Z	1
OIL SEAL,TB20358 (Ref # 653)	653B203508	1