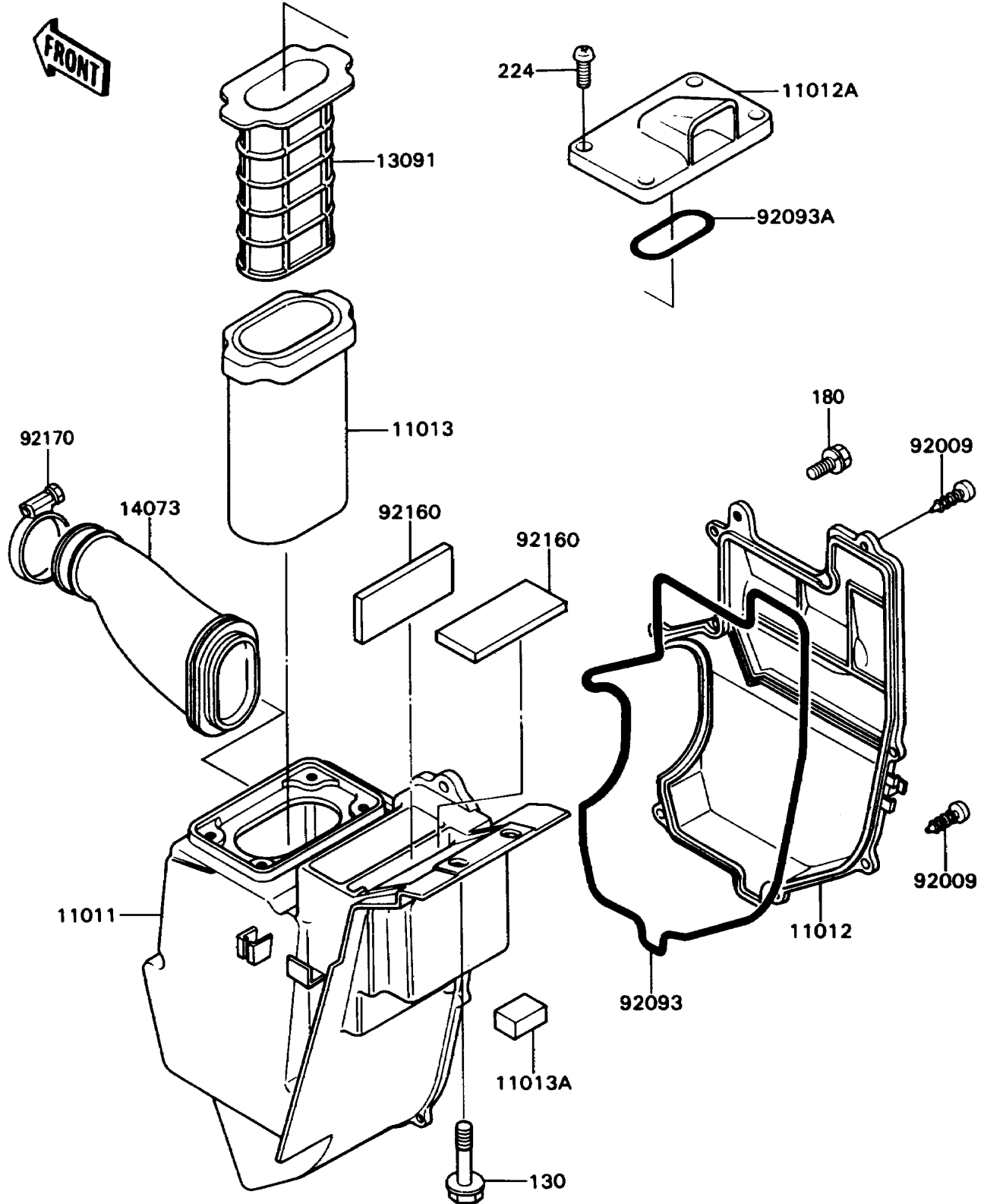


## 1988 KD80N PARTS DIAGRAM

Air Cleaner

E1130-0253



## 1988 KD80N PARTS LIST

Air Cleaner

ITEM NAME	PART NUMBER	QUANTITY
CASE-AIR FILTER (Ref # 11011)	11011-1278	1
CAP,AIR FILTER (Ref # 11012)	11012-1624	1
CAP,AIR INTAKE (Ref # 11012A)	11012-1625	1
ELEMENT-AIR FILTER (Ref # 11013)	11013-1164	1
ELEMENT-AIR FILTER (Ref # 11013A)	11013-1165	1
HOLDER,ELEMENT (Ref # 13091)	13091-1518	1
DUCT,AIR FILTER (Ref # 14073)	14073-1338	1
SCREW,TAPPING,4X10 (Ref # 92009)	92009-1040	1
SEAL (Ref # 92093)	92093-1254	1
SEAL (Ref # 92093A)	92093-1255	1
DAMPER (Ref # 92160)	92160-1073	1
CLAMP (Ref # 92170)	92170-1036	1
BOLT-FLANGED,6X12 (Ref # 130)	130G0612	1
BOLT-UPSET-WS (Ref # 180)	180B0610	1
SCREW-PAN-WP-CROS (Ref # 224)	224B0514	1