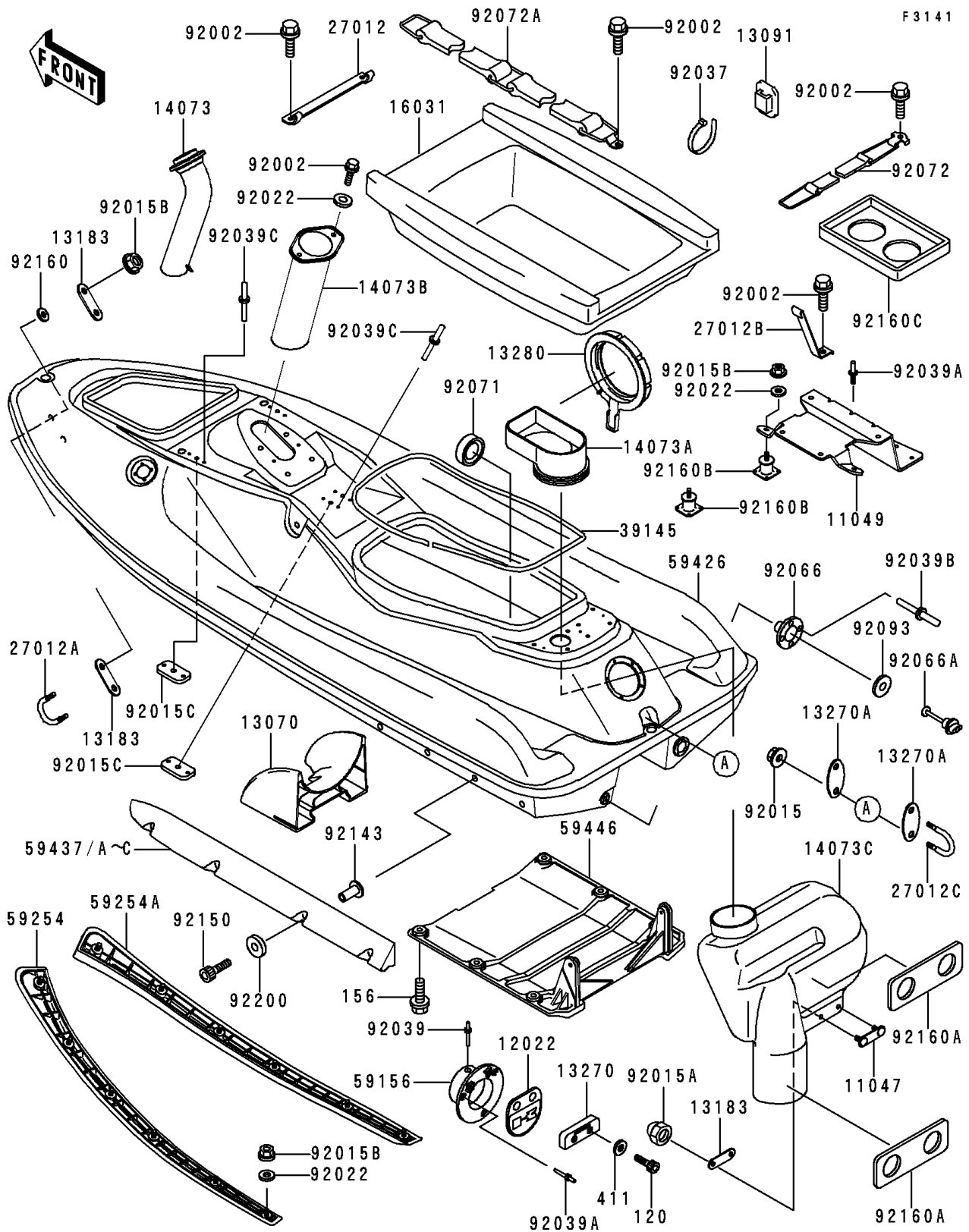


1997 JET SKI® 900 STX® PARTS DIAGRAM

Hull



1997 JET SKI® 900 STX® PARTS LIST

Hull

ITEM NAME	PART NUMBER	QUANTITY
BRACKET,RR DUCT (Ref # 11047)	11047-3774	1
BRACKET (Ref # 11049)	11049-3730	1
VALVE-REED (Ref # 12022)	12022-3706	1
GUIDE,INTAKE (Ref # 13070)	13070-3722	1
HOLDER,BAND (Ref # 13091)	13091-3764	1
PLATE (Ref # 13183)	13183-3809	1
PLATE (Ref # 13270)	13270-3785	1
PLATE (Ref # 13270A)	13270-3860	1
HOLDER (Ref # 13280)	13280-3702	1
DUCT,FR (Ref # 14073)	14073-3741	1
DUCT,RR,INNER (Ref # 14073A)	14073-3743	1
DUCT,FR (Ref # 14073B)	14073-3746	1
DUCT,RR,UPPER (Ref # 14073C)	14073-3756	1
FLOAT (Ref # 16031)	16031-3815	1
HOOK,BOW EYE (Ref # 27012)	27012-3766	1
HOOK (Ref # 27012A)	27012-3776	1
HOOK (Ref # 27012B)	27012-3789	1
HOOK (Ref # 27012C)	27012-3797	1
TRIM-SEAL,L=2170 (Ref # 39145)	39145-3741	1
PIPE-TAIL (Ref # 59156)	59156-3711	1
DEFLECTOR,LH (Ref # 59254)	59254-3702	1
DEFLECTOR,RH (Ref # 59254A)	59254-3703	1
HULL-COMP,J.WHITE (Ref # 59426)	59426-3861-8C	1
STABILIZER,LH,F.RED (Ref # 59437)	59437-3706-6L	1
STABILIZER,RH,F.RED (Ref # 59437B)	59437-3707-6L	1
COVER-JET PUMP (Ref # 59446)	59446-3734	1
BOLT,6X16 (Ref # 92002)	92002-3728	1
NUT,8MM (Ref # 92015)	92015-3709	1
NUT,CAP,6MM (Ref # 92015A)	92015-3755	1

1997 JET SKI® 900 STX® PARTS LIST

Hull

ITEM NAME	PART NUMBER	QUANTITY
NUT,6MM (Ref # 92015B)	92015-3767	1
NUT (Ref # 92015C)	92015-3815	1
WASHER,6.5X20X1.5 (Ref # 92022)	92022-3710	1
CLAMP (Ref # 92037)	92037-1173	1
RIVET,4.8MM (Ref # 92039)	92039-3719	1
RIVET (Ref # 92039A)	92039-3721	1
RIVET (Ref # 92039B)	92039-3757	1
RIVET,4X19.5 (Ref # 92039C)	92039-3764	1
PLUG,RR,DRAIN (Ref # 92066)	92066-3724	1
BOLT-SOCKET (Ref # 120)	120R0616	1
BOLT-WP,6X20 (Ref # 156)	156R0620	1
WASHER-PLAIN,6MM (Ref # 411)	411S0600	1
PLUG,RR,DRAIN (Ref # 92066A)	92066-3744	1
GROMMET (Ref # 92071)	92071-3783	1
BAND,BATTERY (Ref # 92072)	92072-3766	1
BAND,FUEL TANK (Ref # 92072A)	92072-3772	1
SEAL (Ref # 92093)	92093-3720	1
COLLAR (Ref # 92143)	92143-3739	1
BOLT,SOCKET,6X40 (Ref # 92150)	92150-3847	1
DAMPER (Ref # 92160)	92160-1011	1
DAMPER (Ref # 92160A)	92160-3722	1
DAMPER (Ref # 92160B)	92160-3823	1
DAMPER (Ref # 92160C)	92160-3872	1
WASHER,6.5X16X1.0 (Ref # 92200)	92200-3712	1