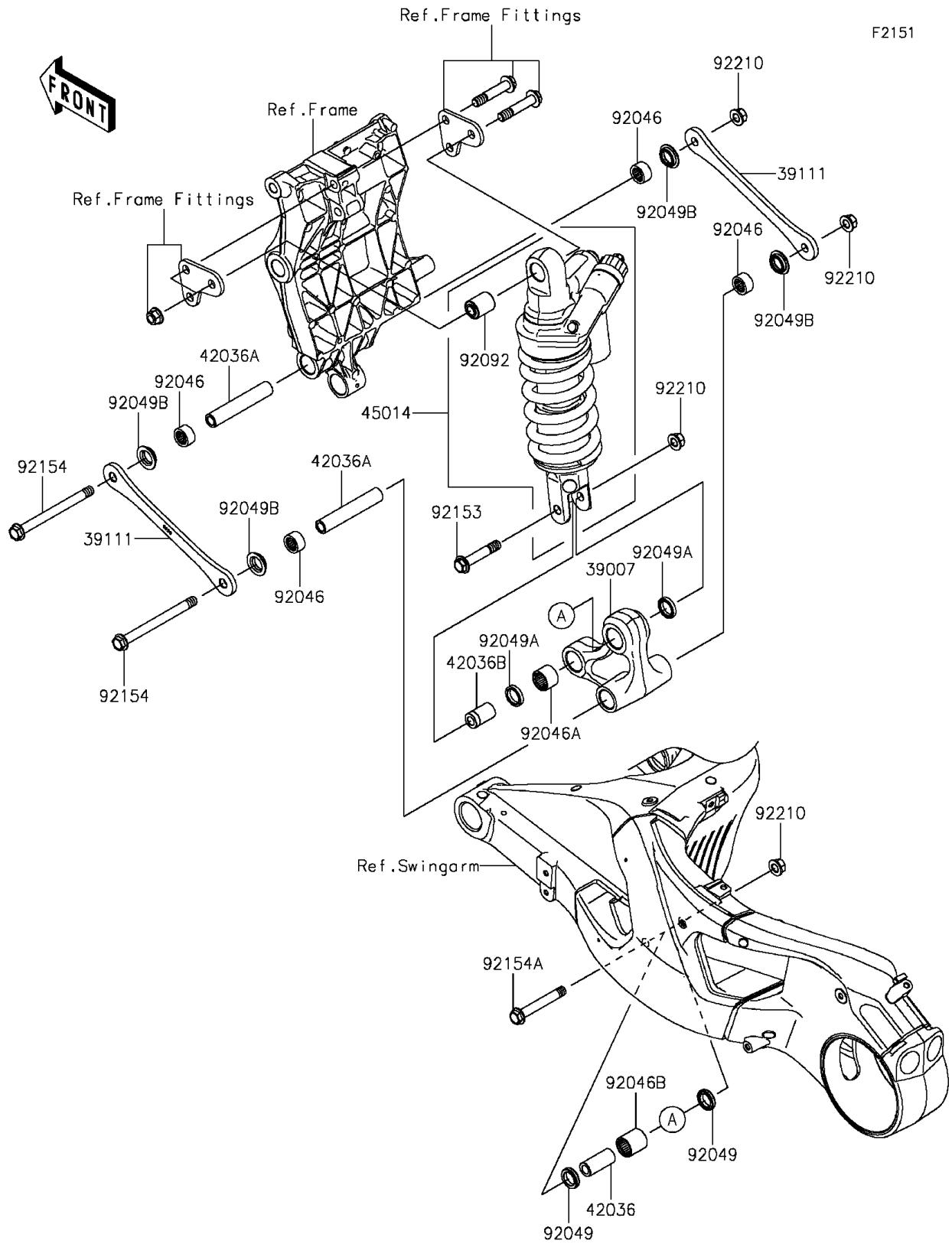


2015 Ninja H2™ PARTS DIAGRAM

Suspension/Shock Absorber



2015 Ninja H2™R PARTS LIST

Suspension/Shock Absorber

ITEM NAME	PART NUMBER	QUANTITY
ARM-SUSP (Ref # 39007)	39007-0394	1
ROD-TIE,SUSPENSION (Ref # 39111)	39111-0330	1
SLEEVE,10.1X17X39 (Ref # 42036)	42036-0075	1
SLEEVE,10.1X16X90.5 (Ref # 42036A)	42036-0763	1
SLEEVE,10.1X18X30 (Ref # 42036B)	42036-1258	1
SHOCKABSORBER,SPG G.B.GREEN (Ref # 45014)	45014-0513-52B	1
BEARING-NEEDLE,16BM2212 (Ref # 92046)	92046-1192	1
BEARING-NEEDLE,SFYZM182417 (Ref # 92046A)	92046-1272	1
BEARING-NEEDLE,SFYZM172425 (Ref # 92046B)	92046-1273	1
SEAL-OIL,SD0 17 24 5 NS (Ref # 92049)	92049-0158	1
SEAL-OIL,MHA18244 (Ref # 92049A)	92049-1225	1
SEAL-OIL,SD03 16 22 5.7 (Ref # 92049B)	92049-1466	1
BUSHING-RUBBER (Ref # 92092)	92092-0003	1
BOLT,FLANGED,10X55 (Ref # 92153)	92153-1546	1
BOLT,FLANGED,10X114 (Ref # 92154)	92154-1553	1
BOLT,FLANGED,10X70 (Ref # 92154A)	92154-1695	1
NUT,LOCK,FLANGED,10MM (Ref # 92210)	92210-1139	1