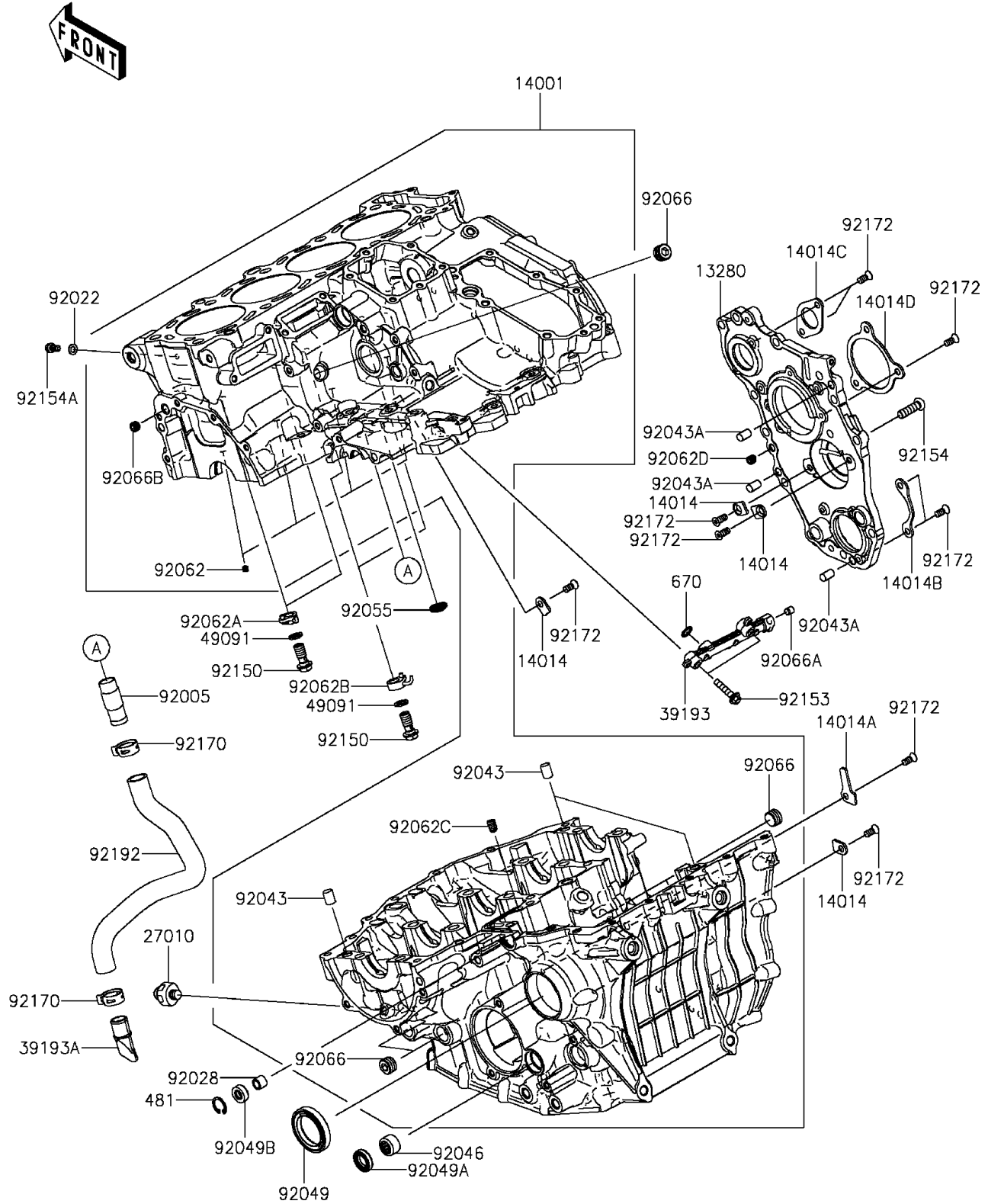


2015 Ninja H2™R PARTS DIAGRAM

Crankcase

E1411



2015 Ninja H2™R PARTS LIST

Crankcase

| ITEM NAME | PART NUMBER | QUANTITY |
|---|-------------|----------|
| CIRCLIP-TYPE-C,18MM (Ref # 481) | 481J1800 | 1 |
| O RING,9.8X1.9 (Ref # 670) | 670B1510 | 1 |
| HOLDER,TRANSMISSION (Ref # 13280) | 13280-0799 | 1 |
| SET-CRANKCASE (Ref # 14001) | 14001-0652 | 1 |
| PLATE-POSITION (Ref # 14014) | 14014-0569 | 1 |
| PLATE-POSITION (Ref # 14014A) | 14014-0570 | 1 |
| PLATE-POSITION,CHANGE DRUM (Ref # 14014B) | 14014-0571 | 1 |
| PLATE-POSITION,COUNTER SHAFT (Ref # 14014C) | 14014-0572 | 1 |
| PLATE-POSITION (Ref # 14014D) | 14014-0575 | 1 |
| SWITCH,OIL PRESSURE (Ref # 27010) | 27010-1313 | 1 |
| PIPE-OIL (Ref # 39193) | 39193-0581 | 1 |
| PIPE-OIL (Ref # 39193A) | 39193-0582 | 1 |
| WASHER-SEAL,10.1X14.5X1.5 (Ref # 49091) | 49091-0001 | 1 |
| FITTING (Ref # 92005) | 92005-0773 | 1 |
| WASHER,6.2X11X1 (Ref # 92022) | 92022-304 | 1 |
| BUSHING,8X12X10 (Ref # 92028) | 92028-1750 | 1 |
| PIN,10X14 (Ref # 92043) | 92043-1506 | 1 |
| PIN,8X14 (Ref # 92043A) | 92043-1567 | 1 |
| BEARING-NEEDLE,HK1412FM (Ref # 92046) | 92046-0043 | 1 |
| SEAL-OIL,TC 35X50X8 (Ref # 92049) | 92049-1452 | 1 |
| SEAL-OIL,TC14245 (Ref # 92049A) | 92049-1520 | 1 |
| SEAL-OIL (Ref # 92049B) | 92049-1566 | 1 |
| RING-O (Ref # 92055) | 92055-0832 | 1 |
| NOZZLE (Ref # 92062) | 92062-0004 | 1 |
| NOZZLE (Ref # 92062A) | 92062-0027 | 1 |
| NOZZLE (Ref # 92062B) | 92062-0028 | 1 |
| NOZZLE (Ref # 92062C) | 92062-0031 | 1 |
| NOZZLE (Ref # 92062D) | 92062-0032 | 1 |
| PLUG (Ref # 92066) | 92066-0831 | 1 |

2015 Ninja H2™R PARTS LIST

Crankcase

| ITEM NAME | PART NUMBER | QUANTITY |
|------------------------------------|-------------|----------|
| PLUG,OIL LINE,7.2X8 (Ref # 92066A) | 92066-1012 | 1 |
| PLUG,PT1/8X7 (Ref # 92066B) | 92066-1227 | 1 |
| BOLT,BANJO,10X23 (Ref # 92150) | 92150-1641 | 1 |
| BOLT,FLANGED,6X28 (Ref # 92153) | 92153-1951 | 1 |
| BOLT,TORX,8X28 (Ref # 92154) | 92154-0415 | 1 |
| BOLT,SOCKET,6X12 (Ref # 92154A) | 92154-1453 | 1 |
| CLAMP (Ref # 92170) | 92170-1640 | 1 |
| SCREW,TORX,6X14 (Ref # 92172) | 92172-0906 | 1 |
| TUBE,BREATHER DRAIN (Ref # 92192) | 92192-1437 | 1 |