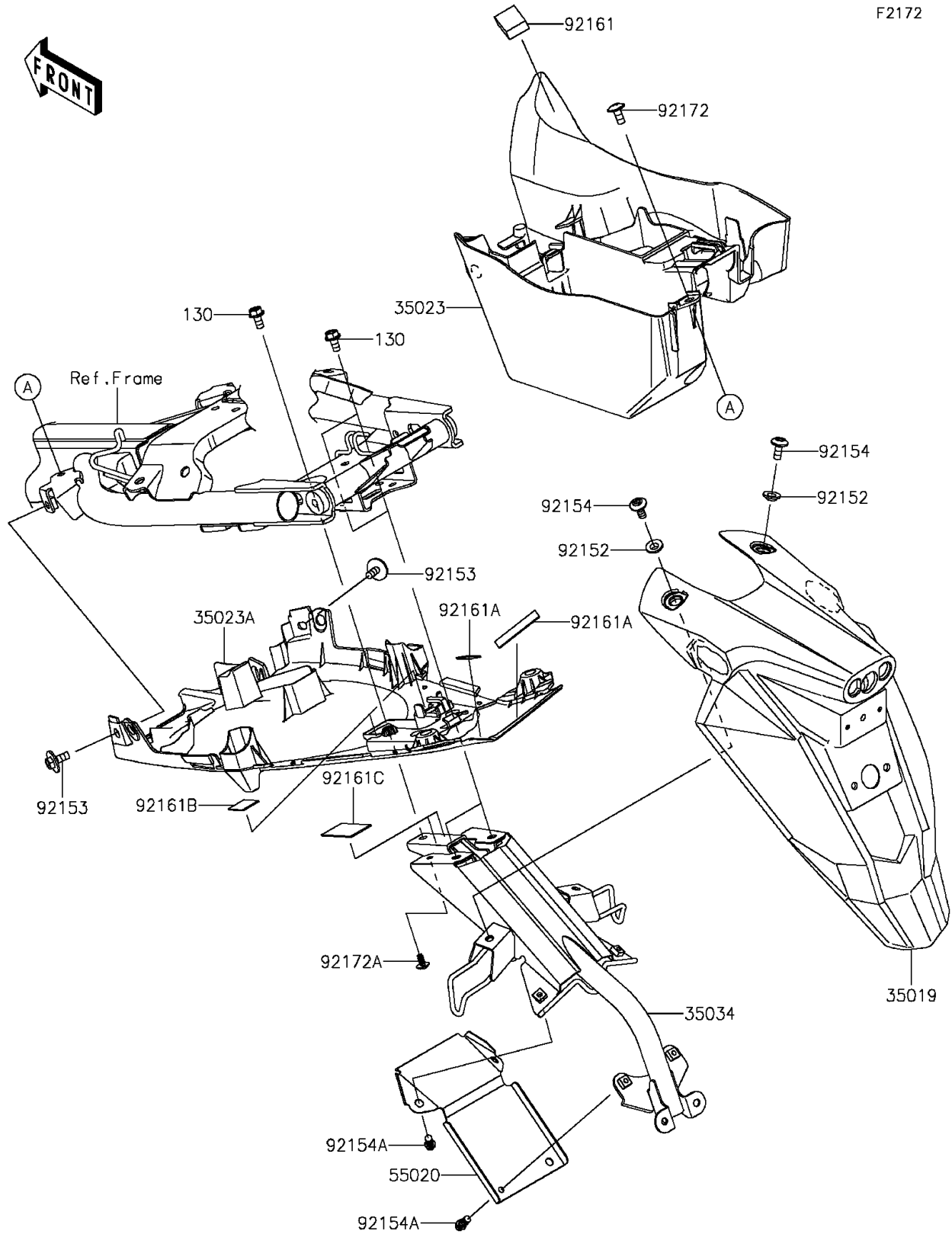


## 2012 ER-6n PARTS DIAGRAM

Rear Fender(s)



F2172

## 2012 ER-6n PARTS LIST

Rear Fender(s)

ITEM NAME	PART NUMBER	QUANTITY
BOLT-FLANGED,6X14 (Ref # 130)	130BA0614	1
FLAP,RR (Ref # 35019)	35019-0556	1
FENDER-REAR,FR (Ref # 35023)	35023-0309	1
FENDER-REAR,RR (Ref # 35023A)	35023-0354	1
REINFORCE (Ref # 35034)	35034-0568	1
GUARD (Ref # 55020)	55020-0846	1
COLLAR,6.3X9.5X4.1 (Ref # 92152)	92152-1571	1
BOLT,6X16 (Ref # 92153)	92153-0684	1
BOLT,SOCKET,6X14 (Ref # 92154)	92154-0907	1
BOLT,FLANGED,6X12 (Ref # 92154A)	92154-0979	1
DAMPER (Ref # 92161)	92161-0718	1
DAMPER,10X45,T1.0 (Ref # 92161A)	92161-1408	1
DAMPER,20X20,T1.0 (Ref # 92161B)	92161-1431	1
DAMPER,25X40,T1.0 (Ref # 92161C)	92161-1432	1
SCREW,6X14 (Ref # 92172)	92172-0004	1
SCREW,TAPPING,5X10 (Ref # 92172A)	92172-0262	1