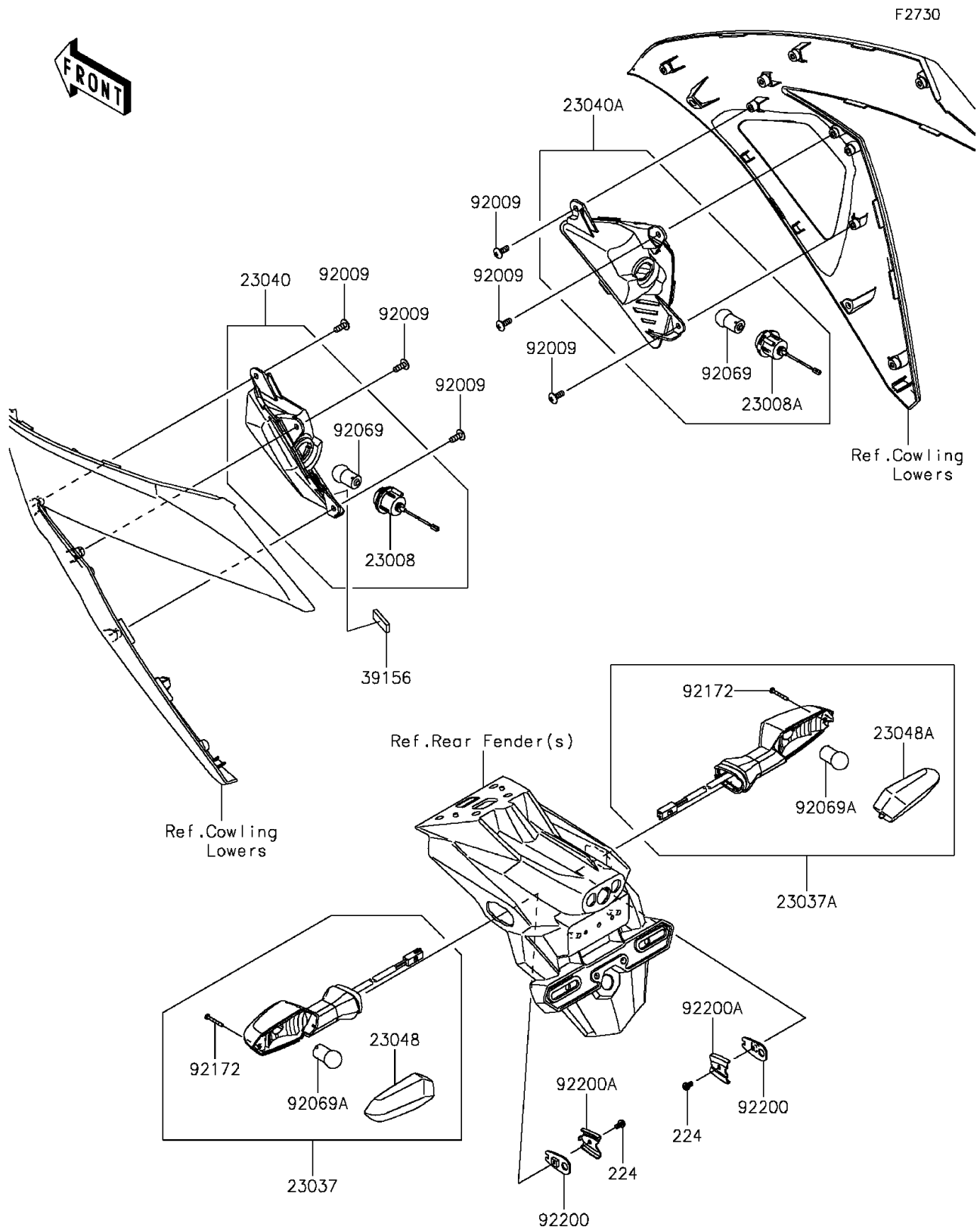


## 2015 NINJA® 300 ABS PARTS DIAGRAM

Turn Signals



## 2015 NINJA® 300 ABS PARTS LIST

Turn Signals

| ITEM NAME                             | PART NUMBER | QUANTITY |
|---------------------------------------|-------------|----------|
| SCREW-PAN-WP-CROS,4X8 (Ref # 224)     | 224AB0408   | 1        |
| SOCKET-ASSY,FR,LH (Ref # 23008)       | 23008-0139  | 1        |
| SOCKET-ASSY,FR,RH (Ref # 23008A)      | 23008-0144  | 1        |
| LAMP-ASSY-SIGNAL,RR,LH (Ref # 23037)  | 23037-0247  | 1        |
| LAMP-ASSY-SIGNAL,RR,RH (Ref # 23037A) | 23037-0248  | 1        |
| LAMP-SIGNAL,FR,LH (Ref # 23040)       | 23040-0107  | 1        |
| LAMP-SIGNAL,FR,RH (Ref # 23040A)      | 23040-0108  | 1        |
| LENS-SIGNAL LAMP,RR,LH (Ref # 23048)  | 23048-0014  | 1        |
| LENS-SIGNAL LAMP,RR,RH (Ref # 23048A) | 23048-0015  | 1        |
| PAD,10X30X4 (Ref # 39156)             | 39156-0927  | 1        |
| SCREW,TAPPING,5X14 (Ref # 92009)      | 92009-1197  | 1        |
| BULB,12V 10W (Ref # 92069)            | 92069-0058  | 1        |
| BULB,12V 10W (Ref # 92069A)           | 92069-0076  | 1        |
| SCREW,2.9X22 (Ref # 92172)            | 92172-0395  | 1        |
| WASHER,SIGNAL LAMP (Ref # 92200)      | 92200-0164  | 1        |
| WASHER,SIGNAL LAMP (Ref # 92200A)     | 92200-0165  | 1        |