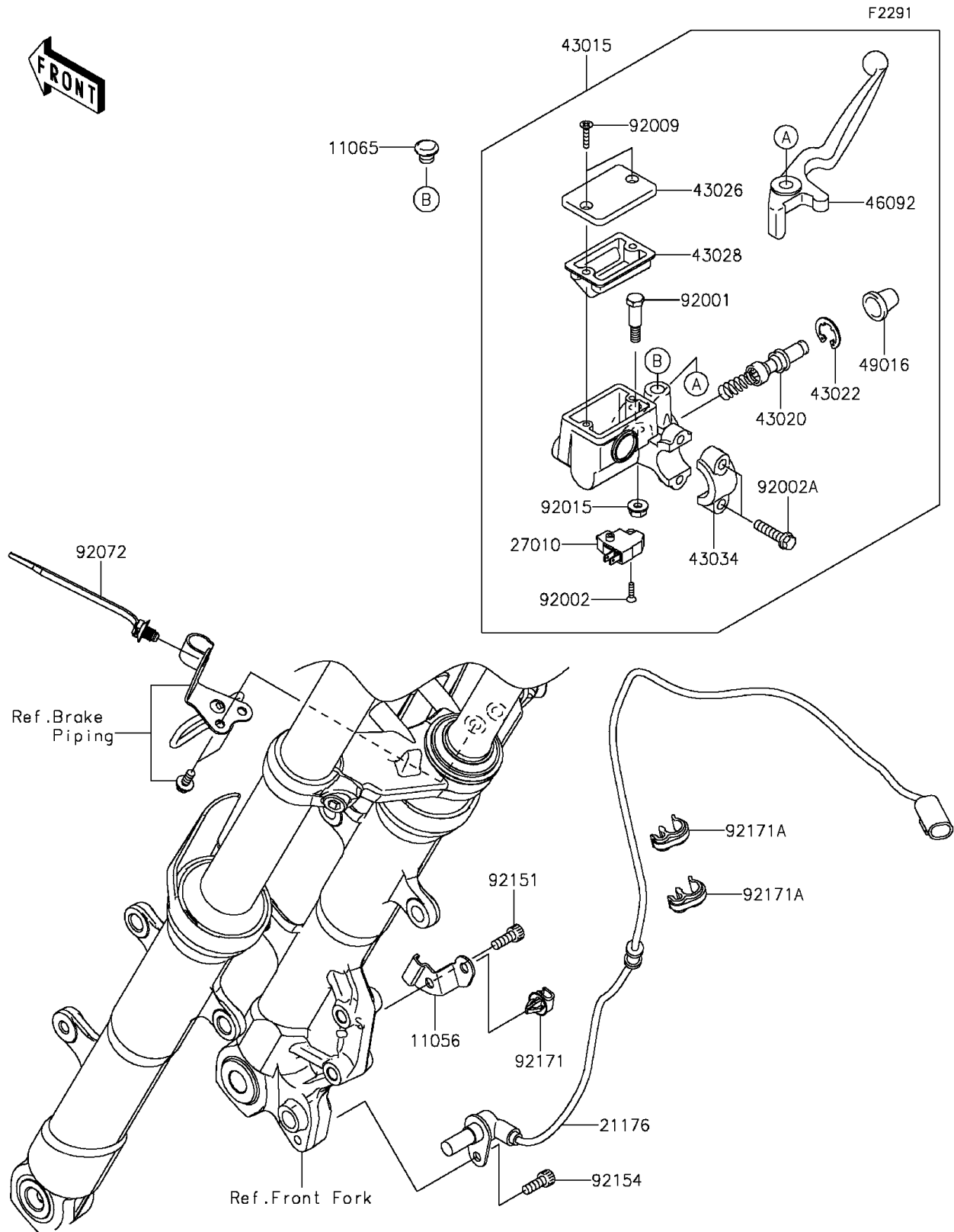


2015 NINJA® 300 ABS PARTS DIAGRAM

Front Master Cylinder



2015 NINJA® 300 ABS PARTS LIST

Front Master Cylinder

ITEM NAME	PART NUMBER	QUANTITY
BRACKET (Ref # 11056)	11056-4005	1
CAP,DUMMY (Ref # 11065)	11065-0218	1
SENSOR,ABS,FR (Ref # 21176)	21176-0750	1
SWITCH,BRAKE (Ref # 27010)	27010-1170	1
CYLINDER-ASSY-MASTER,FR (Ref # 43015)	43015-0622	1
PISTON-COMP-BRAKE (Ref # 43020)	43020-0022	1
STOPPER-BRAKE,PISTON (Ref # 43022)	43022-1010	1
CAP-BRAKE (Ref # 43026)	43026-1074	1
DIAPHRAGM (Ref # 43028)	43028-1061	1
HOLDER-BRAKE,MASTER CYLINDER (Ref # 43034)	43034-1016	1
LEVER-GRIP,FRONT BRAKE (Ref # 46092)	46092-0028	1
COVER-SEAL,MASTER CYLINDER (Ref # 49016)	49016-1044	1
BOLT,FRONT BRAKE LEVER (Ref # 92001)	92001-1728	1
BOLT,SCREW,4X12 (Ref # 92002)	92002-1323	1
BOLT (Ref # 92002A)	92002-1894	1
SCREW,4MM (Ref # 92009)	92009-1458	1
NUT,FLANGED,6MM,BLACK (Ref # 92015)	92015-1233	1
BAND (Ref # 92072)	92072-1414	1
BOLT (Ref # 92151)	92151-1166	1
BOLT,SOCKET,6X16 (Ref # 92154)	92154-0235	1
CLAMP (Ref # 92171)	92171-0640	1
CLAMP,BRAKE HOSE (Ref # 92171A)	92171-1819	1