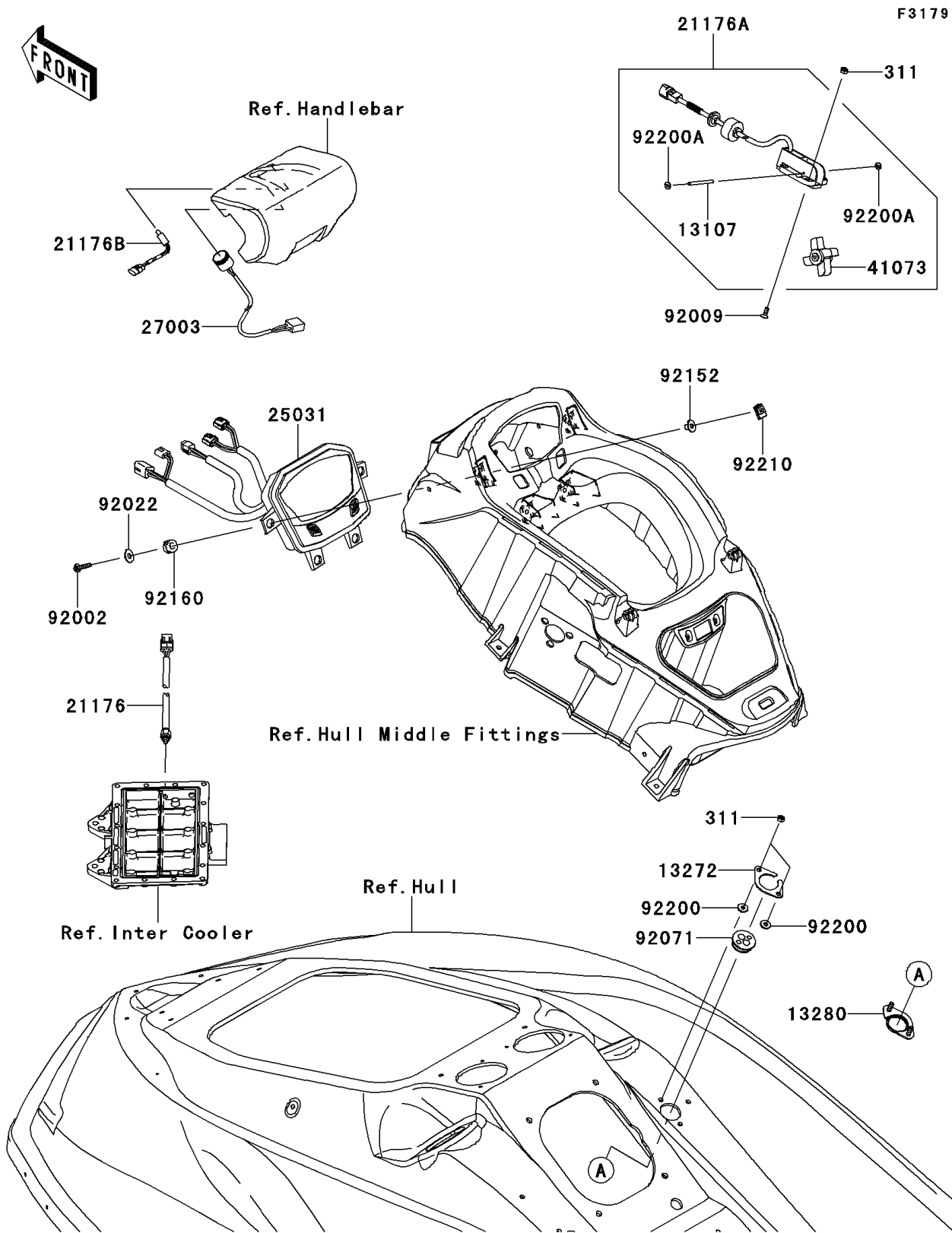


2013 Jet Ski® Ultra® 300X PARTS DIAGRAM

Meters



2013 Jet Ski® Ultra® 300X PARTS LIST

Meters

| ITEM NAME | PART NUMBER | QUANTITY |
|---------------------------------|-------------|----------|
| NUT-HEX,6MM (Ref # 311) | 311R0600 | 1 |
| SHAFT (Ref # 13107) | 13107-3807 | 1 |
| PLATE (Ref # 13272) | 13272-3729 | 1 |
| HOLDER (Ref # 13280) | 13280-0724 | 1 |
| SENSOR,TEMP (Ref # 21176) | 21176-0072 | 1 |
| SENSOR,SPEED (Ref # 21176A) | 21176-3775 | 1 |
| SENSOR,AIR TEMP (Ref # 21176B) | 21176-3778 | 1 |
| METER-ASSY (Ref # 25031) | 25031-0445 | 1 |
| HORN (Ref # 27003) | 27003-3706 | 1 |
| WHEEL-ASSY,PADDLE (Ref # 41073) | 41073-3701 | 1 |
| BOLT,6X25 (Ref # 92002) | 92002-3714 | 1 |
| SCREW,6X16 (Ref # 92009) | 92009-3703 | 1 |
| WASHER,6.5X20X1.5 (Ref # 92022) | 92022-3710 | 1 |
| GROMMET,HARNESS (Ref # 92071) | 92071-3790 | 1 |
| COLLAR (Ref # 92152) | 92152-3755 | 1 |
| DAMPER (Ref # 92160) | 92160-1167 | 1 |
| WASHER,6.5X16X2.0 (Ref # 92200) | 92200-1543 | 1 |
| WASHER (Ref # 92200A) | 92200-3805 | 1 |
| NUT,6MM (Ref # 92210) | 92210-3768 | 1 |