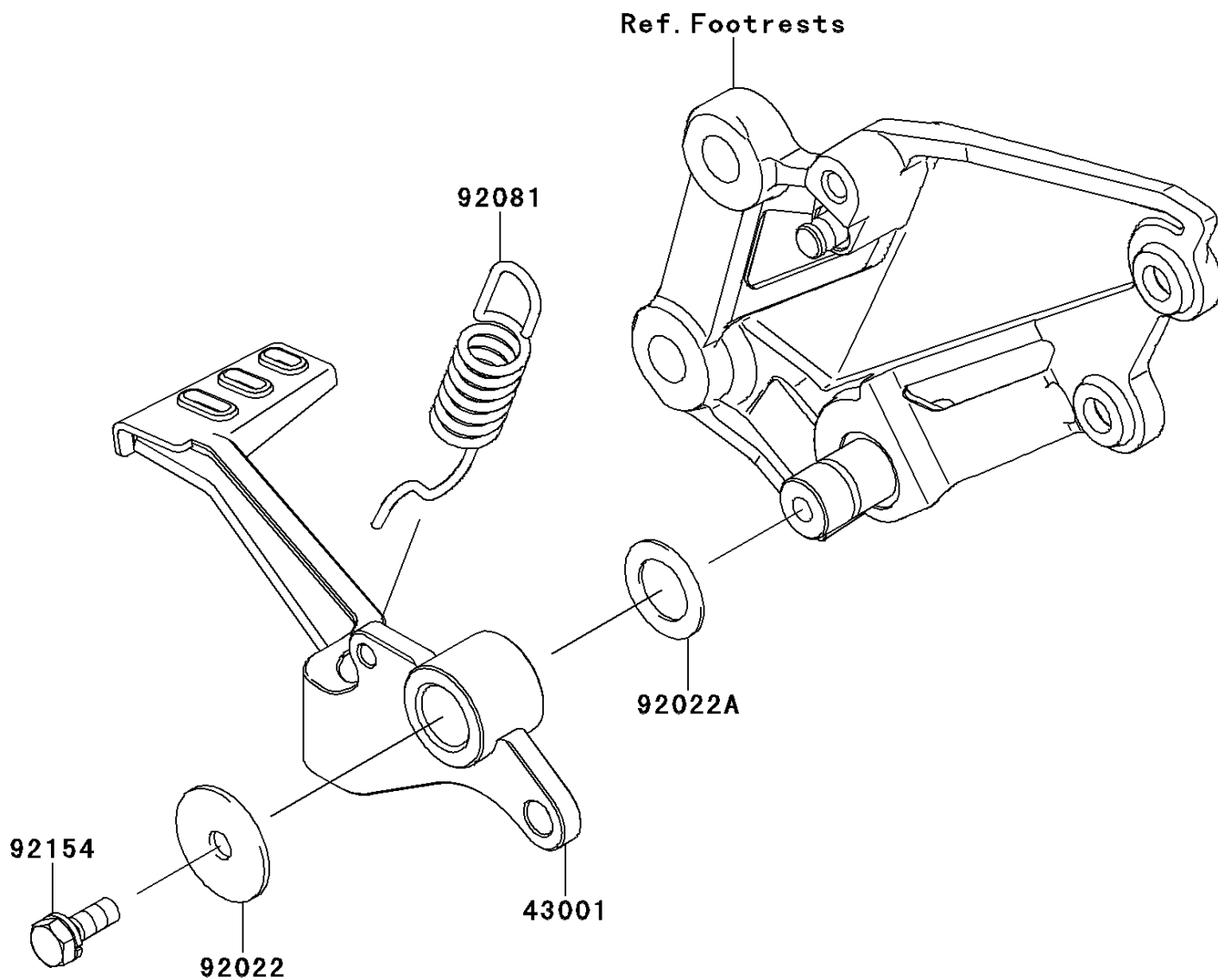


2014 NINJA® 300 ABS PARTS DIAGRAM

Brake Pedal/Torque Link

F2260



2014 NINJA® 300 ABS PARTS LIST

Brake Pedal/Torque Link

| ITEM NAME | PART NUMBER | QUANTITY |
|----------------------------------|-------------|----------|
| LEVER-BRAKE,PEDAL (Ref # 43001) | 43001-0721 | 1 |
| WASHER,7X28X1.6 (Ref # 92022) | 92022-1282 | 1 |
| WASHER,15.3X24X1 (Ref # 92022A) | 92022-326 | 1 |
| SPRING,BRAKE PEDAL (Ref # 92081) | 92081-1833 | 1 |
| BOLT,UPSET-WS,6X16 (Ref # 92154) | 92154-0935 | 1 |