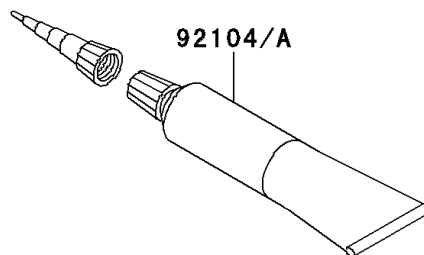
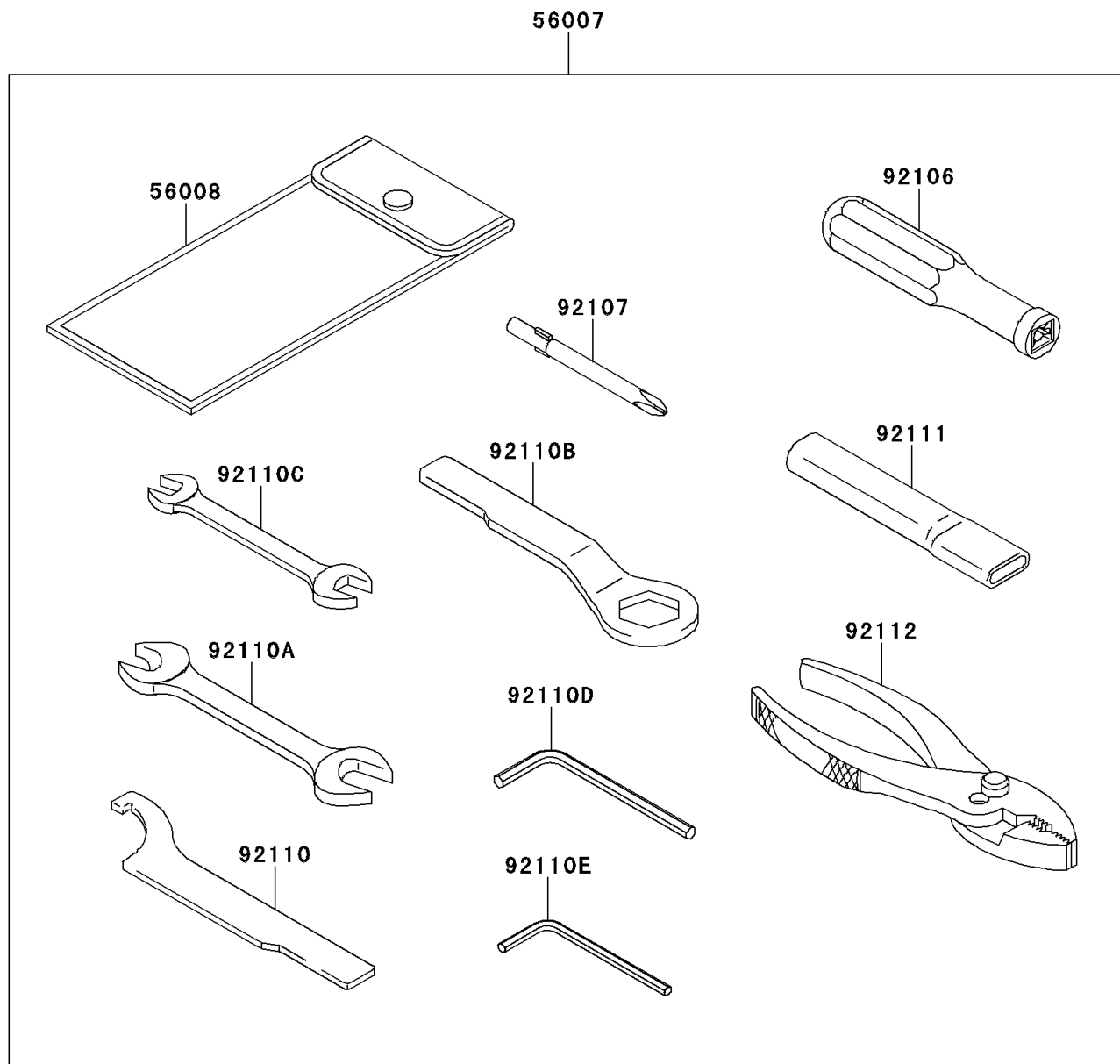


## 2013 NINJA® 300 PARTS DIAGRAM

Owner's Tools

F2810



## 2013 NINJA® 300 PARTS LIST

Owner's Tools

| ITEM NAME | PART NUMBER | QUANTITY |
|-----------|-------------|----------|
|-----------|-------------|----------|