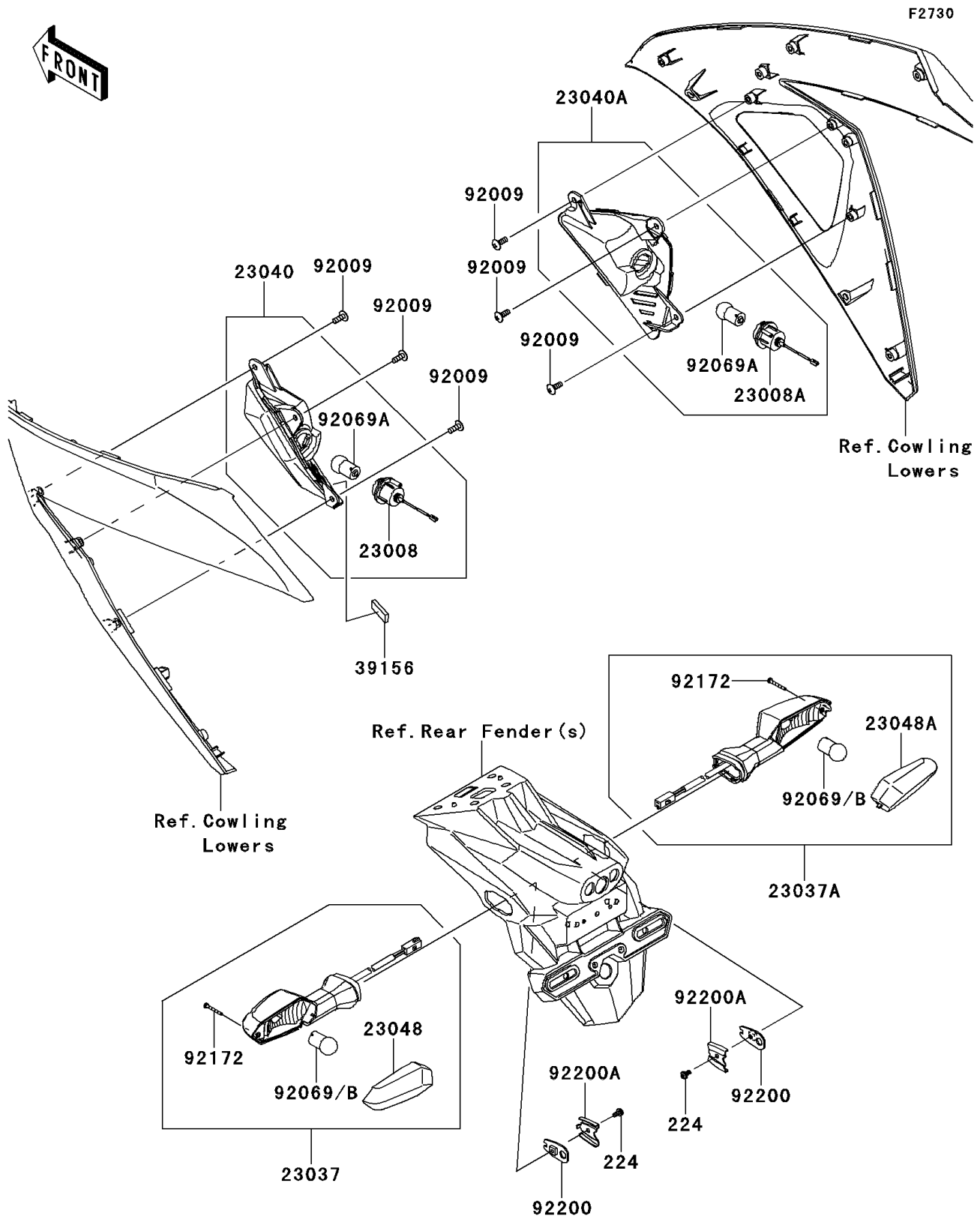


2013 NINJA® 300 PARTS DIAGRAM

Turn Signals



2013 NINJA® 300 PARTS LIST

Turn Signals

| ITEM NAME | PART NUMBER | QUANTITY |
|---------------------------------------|-------------|----------|
| SCREW-PAN-WP-CROS,4X8 (Ref # 224) | 224AB0408 | 1 |
| SOCKET-ASSY,FR,LH (Ref # 23008) | 23008-0139 | 1 |
| SOCKET-ASSY,FR,RH (Ref # 23008A) | 23008-0144 | 1 |
| LAMP-ASSY-SIGNAL,RR,LH (Ref # 23037) | 23037-0247 | 1 |
| LAMP-ASSY-SIGNAL,RR,RH (Ref # 23037A) | 23037-0248 | 1 |
| LAMP-SIGNAL,FR,LH (Ref # 23040) | 23040-0107 | 1 |
| LAMP-SIGNAL,FR,RH (Ref # 23040A) | 23040-0108 | 1 |
| LENS-SIGNAL LAMP,RR,LH (Ref # 23048) | 23048-0014 | 1 |
| LENS-SIGNAL LAMP,RR,RH (Ref # 23048A) | 23048-0015 | 1 |
| PAD,10X30X4 (Ref # 39156) | 39156-0927 | 1 |
| SCREW,TAPPING,5X14 (Ref # 92009) | 92009-1197 | 1 |
| BULB,12V 10W (Ref # 92069) | 92069-0024 | 1 |
| BULB,12V 10W (Ref # 92069A) | 92069-0058 | 1 |
| SCREW,2.9X22 (Ref # 92172) | 92172-0395 | 1 |
| WASHER,SIGNAL LAMP (Ref # 92200) | 92200-0164 | 1 |
| WASHER,SIGNAL LAMP (Ref # 92200A) | 92200-0165 | 1 |