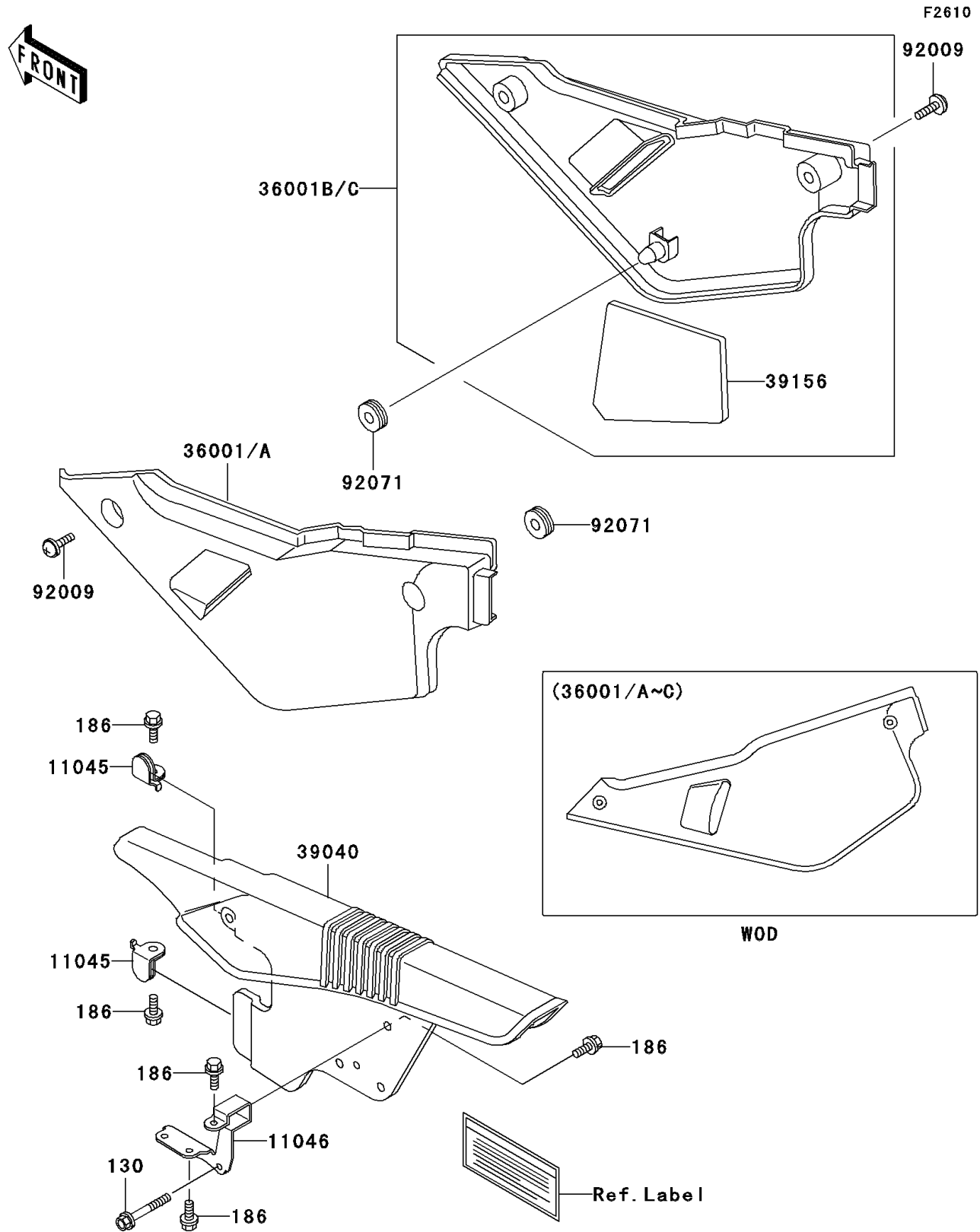


1996 KLR™650 PARTS DIAGRAM

Side Covers/Chain Cover



1996 KLR™650 PARTS LIST

Side Covers/Chain Cover

ITEM NAME	PART NUMBER	QUANTITY
BRACKET,CHAIN CASE,FR (Ref # 11045)	11045-1335	1
BRACKET,CHAIN CASE,RR (Ref # 11046)	11046-1391	1
COVER-SIDE,LH,F.B.GREEN (Ref # 36001)	36001-1346-59	1
COVER-SIDE,RH,F.B.GREEN (Ref # 36001B)	36001-1537-59	1
BOLT-FLANGED (Ref # 130)	130H0640	1
BOLT-UPSET-WP (Ref # 186)	186C0612	1
COVER-ASSY-CHAIN CASE (Ref # 39040)	39040-1057	1
PAD,SIDE COVER (Ref # 39156)	39156-1426	1
SCREW,6X10,WHITE (Ref # 92009)	92009-1286	1
GROMMET (Ref # 92071)	92071-056	1