

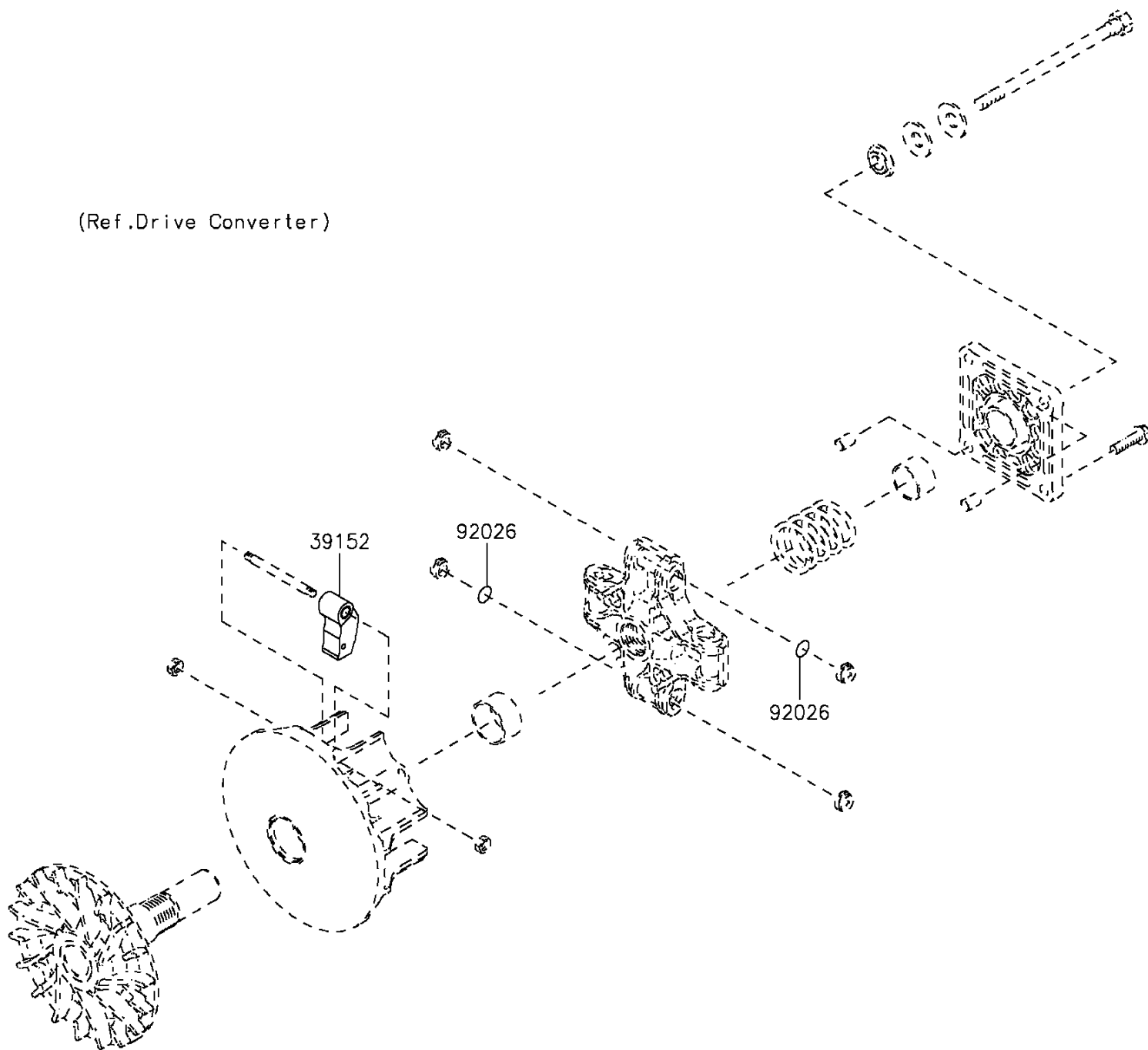
2016 Mule™ 610 4x4 SE PARTS DIAGRAM

Optional Parts(Engine)

F2890



(Ref. Drive Converter)



2016 Mule™ 610 4x4 SE PARTS LIST

Optional Parts(Engine)

| ITEM NAME | PART NUMBER | QUANTITY |
|--------------------------------|-------------|----------|
| WEIGHT-RAMP,C155 (Ref # 39152) | 39152-0014 | 1 |
| SPACER,T=0.1 (Ref # 92026) | 92026-0038 | 1 |