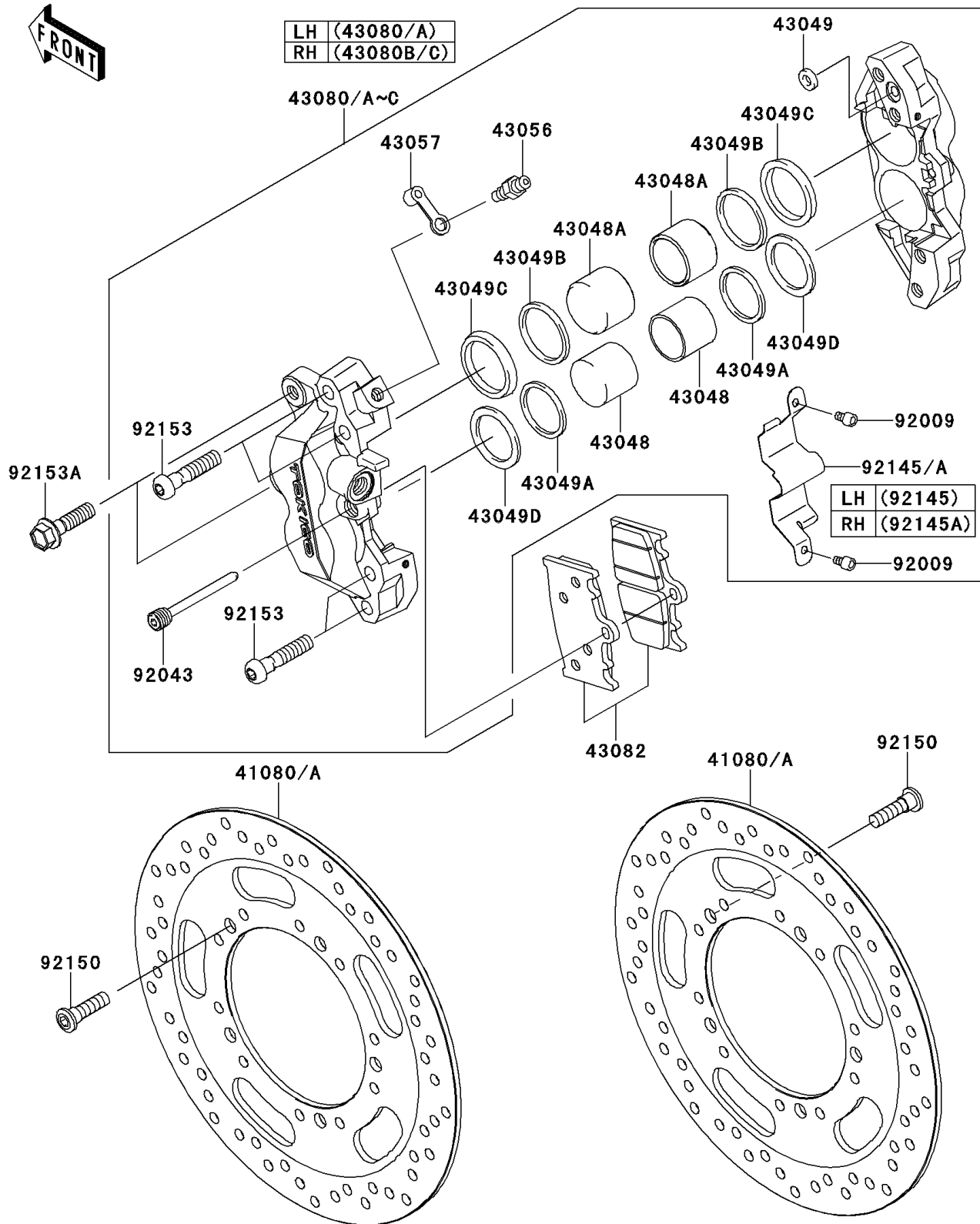


2009 PARTS DIAGRAM

Front Brake

F2292



2009 PARTS LIST

Front Brake

| ITEM NAME | PART NUMBER | QUANTITY |
|--|---------------|----------|
| DISC,FR,SILVER (Ref # 41080) | 41080-0181-CM | 1 |
| PISTON-CALIPER,DIA=26.97 (Ref # 43048) | 43048-1078 | 1 |
| PISTON-CALIPER,DIA=30.2 (Ref # 43048A) | 43048-1098 | 1 |
| PACKING,SEAL,6.5X11.5X2.2 (Ref # 43049) | 43049-1004 | 1 |
| PACKING,PISTON (Ref # 43049A) | 43049-1055 | 1 |
| PACKING (Ref # 43049B) | 43049-1068 | 1 |
| PACKING,PISTON SEAL (Ref # 43049C) | 43049-1092 | 1 |
| PACKING,PISTON SEAL (Ref # 43049D) | 43049-1096 | 1 |
| BREATHER-BRAKE (Ref # 43056) | 43056-1054 | 1 |
| CAP-BREATHER (Ref # 43057) | 43057-003 | 1 |
| CALIPER-SUB-ASSY,FR,LH,SILVER (Ref # 43080A) | 43080-0073-GN | 1 |
| CALIPER-SUB-ASSY,FR,RH,SILVER (Ref # 43080C) | 43080-0074-GN | 1 |
| PAD-ASSY-BRAKE (Ref # 43082) | 43082-0016 | 1 |
| BOLT,SOCKET,4X6 (Ref # 92009) | 92009-1758 | 1 |
| PIN,PAD (Ref # 92043) | 92043-1683 | 1 |
| SPRING,COVER (Ref # 92145) | 92145-1503 | 1 |
| SPRING,COVER,RH (Ref # 92145A) | 92145-1504 | 1 |
| BOLT,SOCKET,8X30 (Ref # 92150) | 92150-1771 | 1 |
| BOLT,SOCKET,8X40 (Ref # 92153) | 92153-0360 | 1 |
| BOLT,FLANGED,8X30 (Ref # 92153A) | 92153-1089 | 1 |