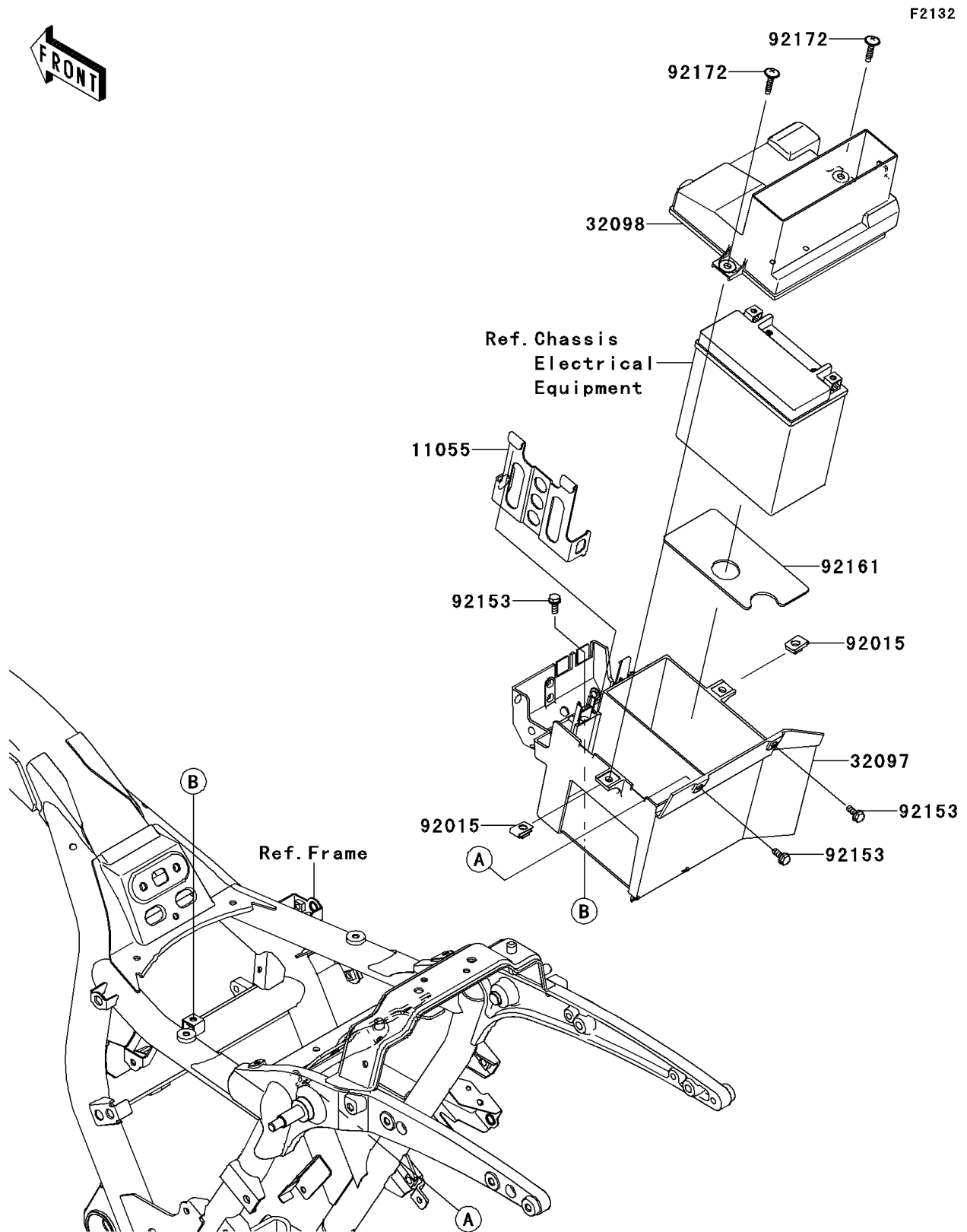


2009 PARTS DIAGRAM

Battery Case



2009 PARTS LIST

Battery Case

| ITEM NAME | PART NUMBER | QUANTITY |
|-------------------------------------|-------------|----------|
| BRACKET,ECU&RELAY BOX (Ref # 11055) | 11055-0617 | 1 |
| CASE-BATTERY (Ref # 32097) | 32097-0027 | 1 |
| CASE-TOOL (Ref # 32098) | 32098-0020 | 1 |
| NUT,6MM (Ref # 92015) | 92015-1602 | 1 |
| BOLT,6X16 (Ref # 92153) | 92153-1215 | 1 |
| DAMPER,BATTERY (Ref # 92161) | 92161-1097 | 1 |
| SCREW,6X26 (Ref # 92172) | 92172-0137 | 1 |