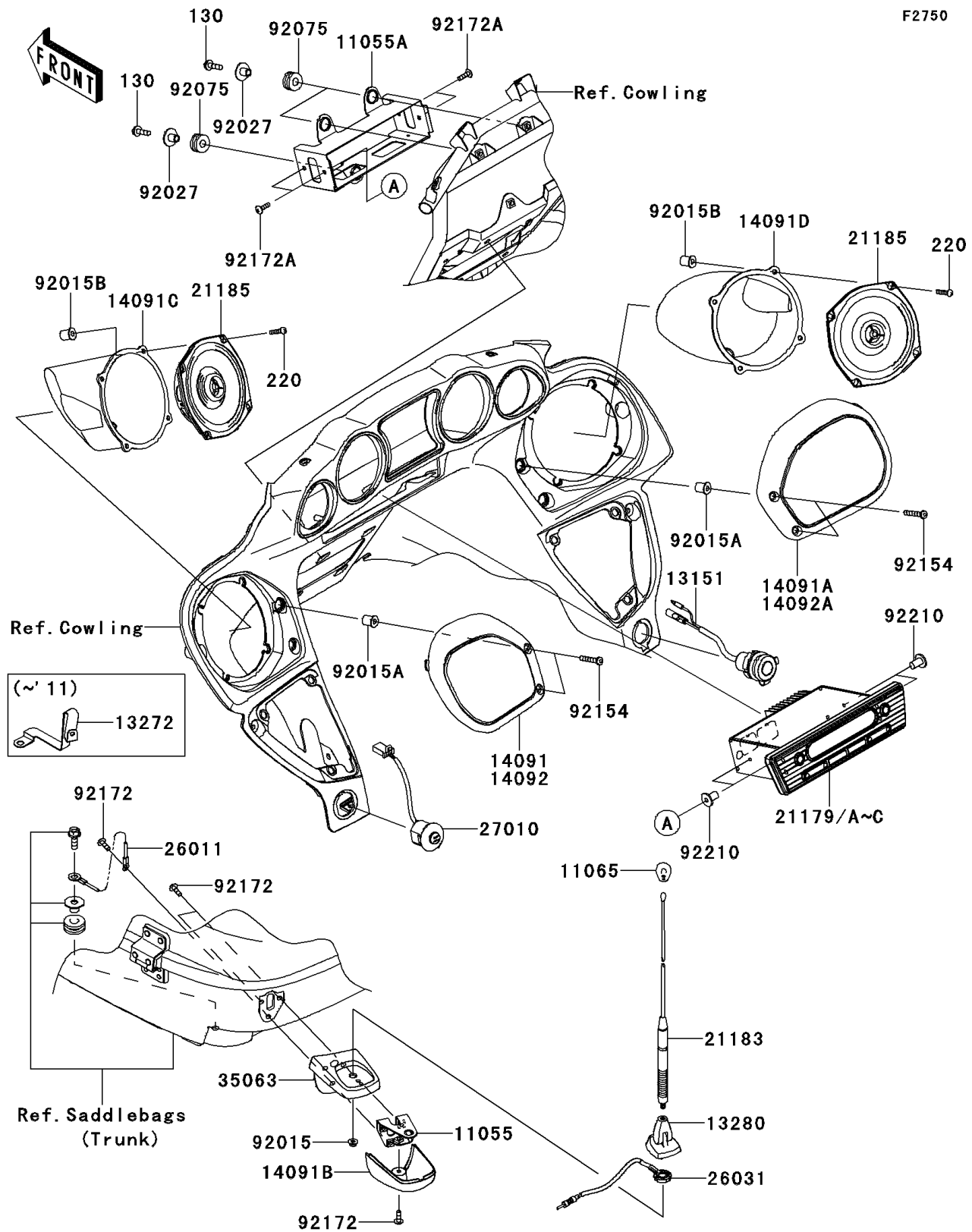


## 2009 PARTS DIAGRAM

Other



## 2009 PARTS LIST

Other

ITEM NAME	PART NUMBER	QUANTITY
BOLT-FLANGED,6X22 (Ref # 130)	130BA0622	1
SCREW-PAN-CROSS,5X20 (Ref # 220)	220AB0520	1
BRACKET,ANTENNA STAY (Ref # 11055)	11055-0683	1
BRACKET,AUDIO (Ref # 11055A)	11055-1510	1
CAP,ANTENNA (Ref # 11065)	11065-0305	1
SWITCH-COMP (Ref # 13151)	13151-0040	1
PLATE,ANTENNA (Ref # 13272)	13272-0674	1
HOLDER,ANTENNA (Ref # 13280)	13280-0285	1
COVER,SPEAKER,LH (Ref # 14091)	14091-0953	1
COVER,SPEAKER,RH (Ref # 14091A)	14091-0954	1
COVER,ANTENNA STAY (Ref # 14091B)	14091-1576	1
COVER,SPEAKER BOX,LH (Ref # 14091C)	14091-1773	1
COVER,SPEAKER BOX,RH (Ref # 14091D)	14091-1774	1
RADIO-TUNER (Ref # 21179)	21179-0001	1
ANTENNA (Ref # 21183)	21183-0006	1
SPEAKER (Ref # 21185)	21185-0001	1
HARNESS,ANTENNA (Ref # 26031)	26031-0735	1
SWITCH,SUB LAMP (Ref # 27010)	27010-0107	1
STAY,ANTENNA (Ref # 35063)	35063-0519	1
NUT,FLANGED,5MM (Ref # 92015)	92015-1259	1
NUT (Ref # 92015A)	92015-1700	1
NUT,WELL,5MM (Ref # 92015B)	92015-1757	1
COLLAR,L=13.1,BLACK (Ref # 92027)	92027-1450	1
DAMPER (Ref # 92075)	92075-1690	1
BOLT,SOCKET,6X30 (Ref # 92154)	92154-0206	1
SCREW,5X16 (Ref # 92172)	92172-0322	1
SCREW,5X18 (Ref # 92172A)	92172-0428	1
NUT,WELL,5MM (Ref # 92210)	92210-0532	1