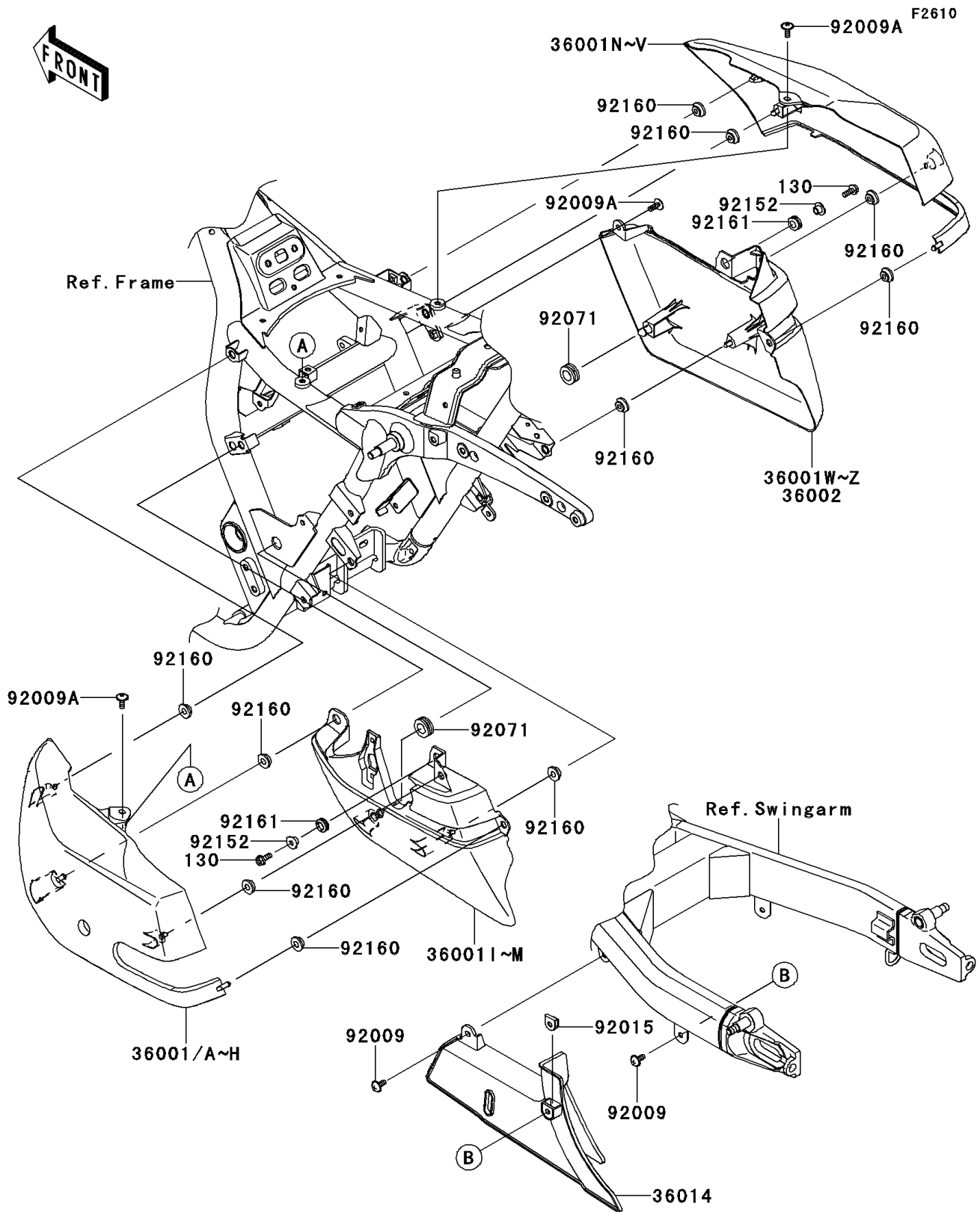


2009 PARTS DIAGRAM

Side Covers/Chain Cover



2009 PARTS LIST

Side Covers/Chain Cover

ITEM NAME	PART NUMBER	QUANTITY
COVER-SIDE,LH,UPP,C.D.RED (Ref # 36001D)	36001-0139-25T	1
COVER-SIDE,LH,LWR,C.D.RED (Ref # 36001M)	36001-0140-25T	1
COVER-SIDE,RH,UPP,C.D.RED (Ref # 36001R)	36001-0141-25T	1
COVER-SIDE,RH,LWR,C.D.RED (Ref # 36002)	36001-0142-25T	1
CASE-CHAIN (Ref # 36014)	36014-0042	1
SCREW,6X14 (Ref # 92009)	92009-1555	1
SCREW,6X16 (Ref # 92009A)	92009-1621	1
NUT,CLIP,6MM (Ref # 92015)	92015-1904	1
GROMMET (Ref # 92071)	92071-1131	1
COLLAR (Ref # 92152)	92152-0295	1
DAMPER (Ref # 92160)	92160-1613	1
BOLT-FLANGED,6X16 (Ref # 130)	130BA0616	1
DAMPER (Ref # 92161)	92161-0266	1