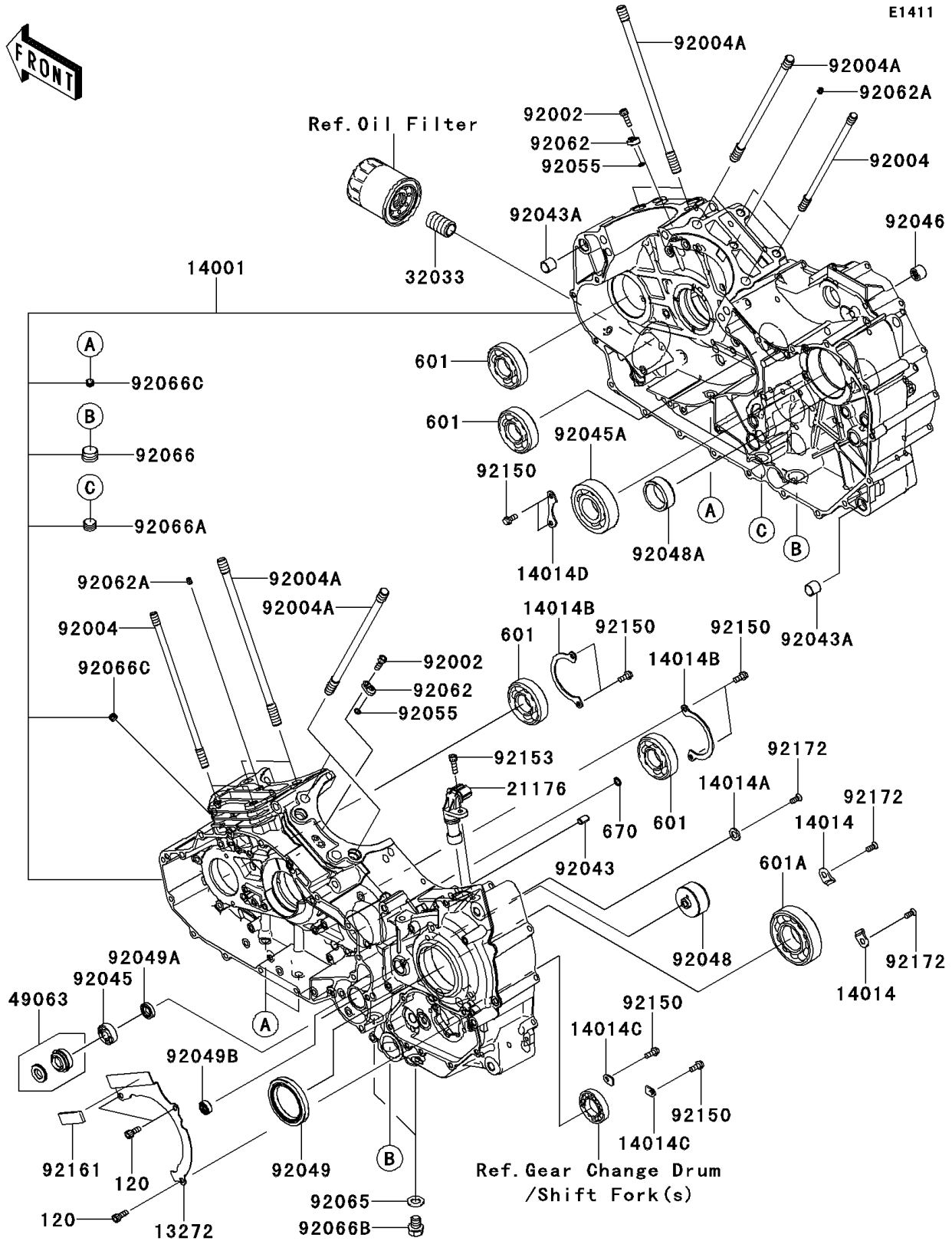


2009 PARTS DIAGRAM

Crankcase



2009 PARTS LIST

Crankcase

| ITEM NAME | PART NUMBER | QUANTITY |
|---|-------------|----------|
| BOLT-SOCKET,6X16 (Ref # 120) | 120CA0616 | 1 |
| BEARING-BALL,#6305 (Ref # 601) | 601A6305 | 1 |
| BEARING-BALL (Ref # 601A) | 601A6307 | 1 |
| O RING,8MM (Ref # 670) | 670D1508 | 1 |
| PLATE,EG OUTPUT (Ref # 13272) | 13272-0319 | 1 |
| SET-CRANKCASE (Ref # 14001) | 14001-0134 | 1 |
| PLATE-POSITION (Ref # 14014) | 14014-0003 | 1 |
| PLATE-POSITION,9.5X17X2.3 (Ref # 14014A) | 14014-0019 | 1 |
| PLATE-POSITION,BALANCER (Ref # 14014B) | 14014-0033 | 1 |
| PLATE-POSITION,CHANGE DRUM (Ref # 14014C) | 14014-0034 | 1 |
| PLATE-POSITION (Ref # 14014D) | 14014-1084 | 1 |
| SENSOR,SPEED (Ref # 21176) | 21176-0042 | 1 |
| PIPE,OIL FILTER (Ref # 32033) | 32033-1535 | 1 |
| SEAL-MECHANICAL,WATER (Ref # 49063) | 49063-1055 | 1 |
| BOLT,SOCKET,5X18 (Ref # 92002) | 92002-1805 | 1 |
| STUD,10X201 (Ref # 92004) | 92004-0038 | 1 |
| STUD,12X217 (Ref # 92004A) | 92004-0039 | 1 |
| PIN,6.2X8X14 (Ref # 92043) | 92043-1263 | 1 |
| PIN,13X16X14 (Ref # 92043A) | 92043-1608 | 1 |
| BEARING-BALL,6001JRXLLU/5K (Ref # 92045) | 92045-1151 | 1 |
| BEARING-BALL,6306SH2 (Ref # 92045A) | 92045-1190 | 1 |
| BEARING-NEEDLE,HK1212V11 (Ref # 92046) | 92046-1292 | 1 |
| RACE (Ref # 92048) | 92048-0017 | 1 |
| RACE (Ref # 92048A) | 92048-1103 | 1 |
| SEAL-OIL,50X68X9 (Ref # 92049) | 92049-0107 | 1 |
| SEAL-OIL,SC 12X22X5 (Ref # 92049A) | 92049-1228 | 1 |
| SEAL-OIL (Ref # 92049B) | 92049-1566 | 1 |
| RING-O,5.5X1.5 (Ref # 92055) | 92055-1339 | 1 |
| NOZZLE,OIL JET (Ref # 92062) | 92062-0016 | 1 |

2009 PARTS LIST

Crankcase

| ITEM NAME | PART NUMBER | QUANTITY |
|----------------------------------|-------------|----------|
| NOZZLE,6X8,YELLOW (Ref # 92062A) | 92062-1080 | 1 |
| GASKET,12X22X2 (Ref # 92065) | 92065-097 | 1 |
| PLUG,PT1/2X12.5 (Ref # 92066) | 92066-0002 | 1 |
| PLUG,PT3/8X10 (Ref # 92066A) | 92066-0003 | 1 |
| PLUG,12X15 (Ref # 92066B) | 92066-0079 | 1 |
| PLUG,PT1/8X7 (Ref # 92066C) | 92066-1227 | 1 |
| BOLT,6X14 (Ref # 92150) | 92150-1916 | 1 |
| BOLT,SOCKET,6X20 (Ref # 92153) | 92153-1031 | 1 |
| DAMPER (Ref # 92161) | 92161-0124 | 1 |
| SCREW,6X14 (Ref # 92172) | 92172-0187 | 1 |