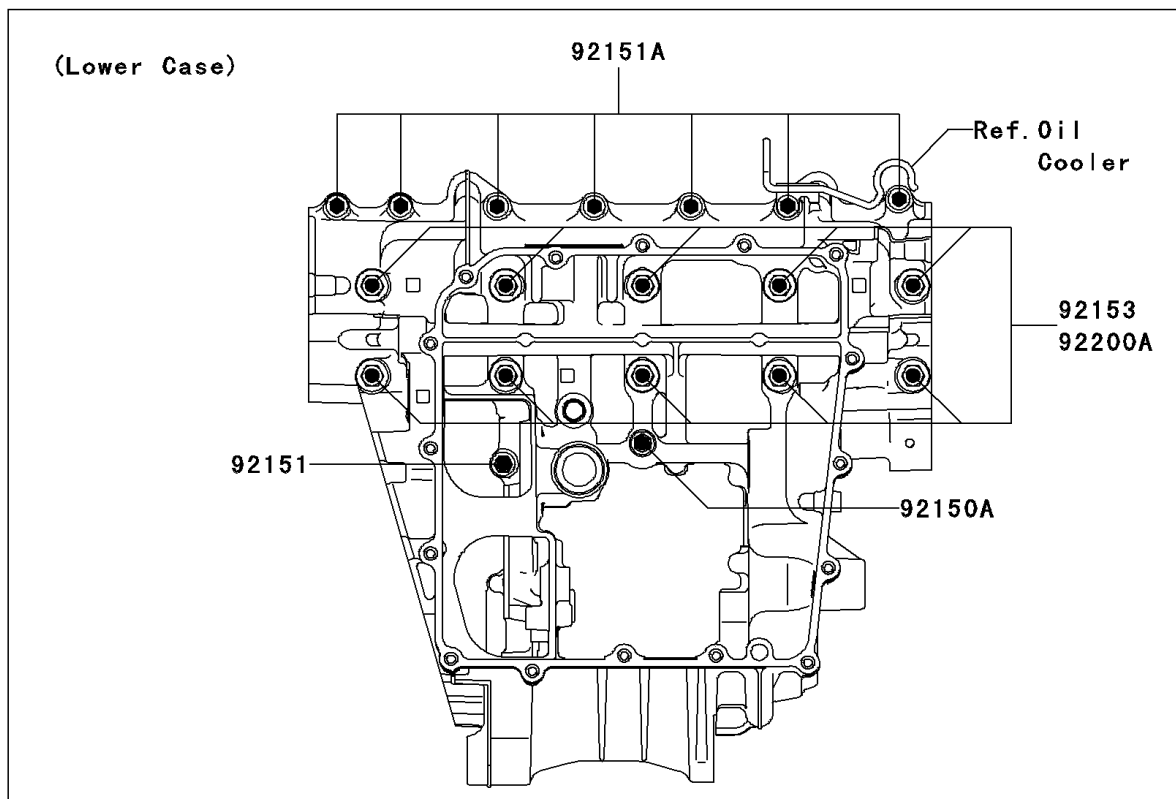
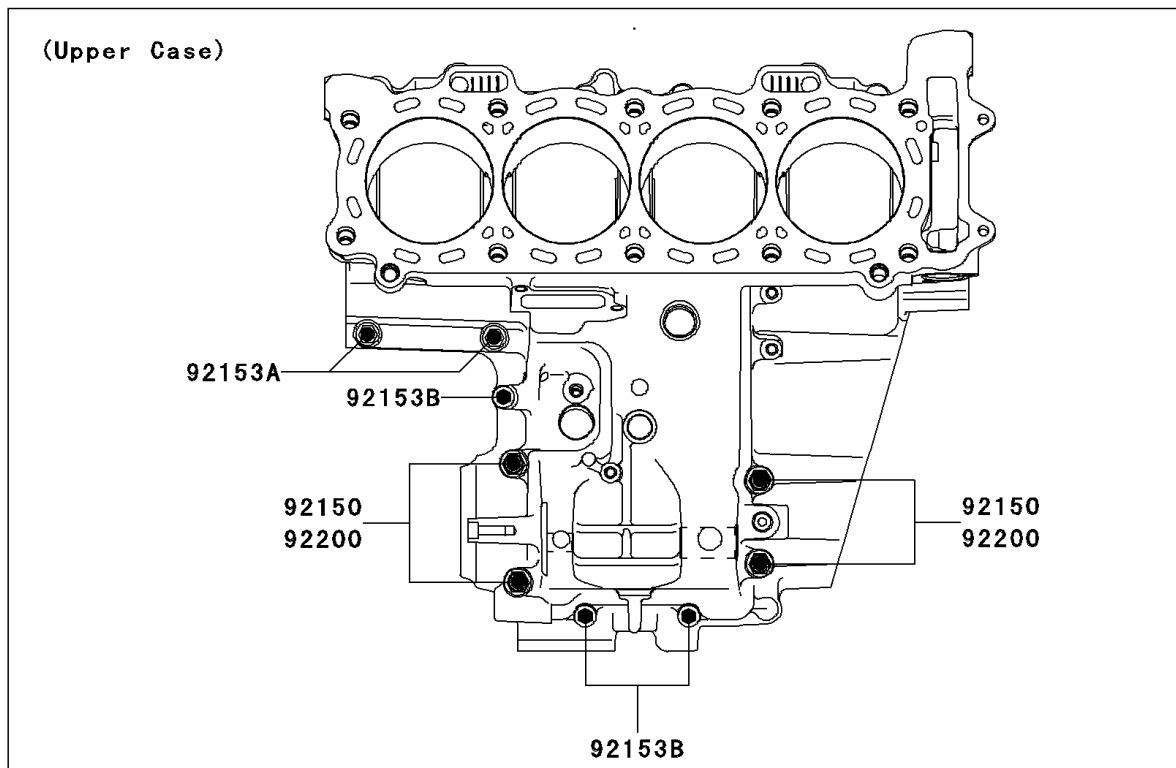


2008 NINJA® ZX™-10R PARTS DIAGRAM

Crankcase Bolt Pattern

E1412



2008 NINJA® ZX™-10R PARTS LIST

Crankcase Bolt Pattern

| ITEM NAME | PART NUMBER | QUANTITY |
|----------------------------------|-------------|----------|
| BOLT,8X80 (Ref # 92150) | 92150-1162 | 1 |
| BOLT,FLANGED,7X85 (Ref # 92150A) | 92150-1251 | 1 |
| BOLT,FLANGED,7X50 (Ref # 92151) | 92151-1223 | 1 |
| BOLT,FLANGED,6X45 (Ref # 92151A) | 92151-1521 | 1 |
| BOLT,FLANGED,9X100 (Ref # 92153) | 92153-0447 | 1 |
| BOLT,FLANGED,7X32 (Ref # 92153A) | 92153-0448 | 1 |
| BOLT-FLANGED,6X40 (Ref # 92153B) | 92153-1570 | 1 |
| WASHER,8.2X16X1.6 (Ref # 92200) | 92200-0047 | 1 |
| WASHER,9.2X19X23 (Ref # 92200A) | 92200-0115 | 1 |