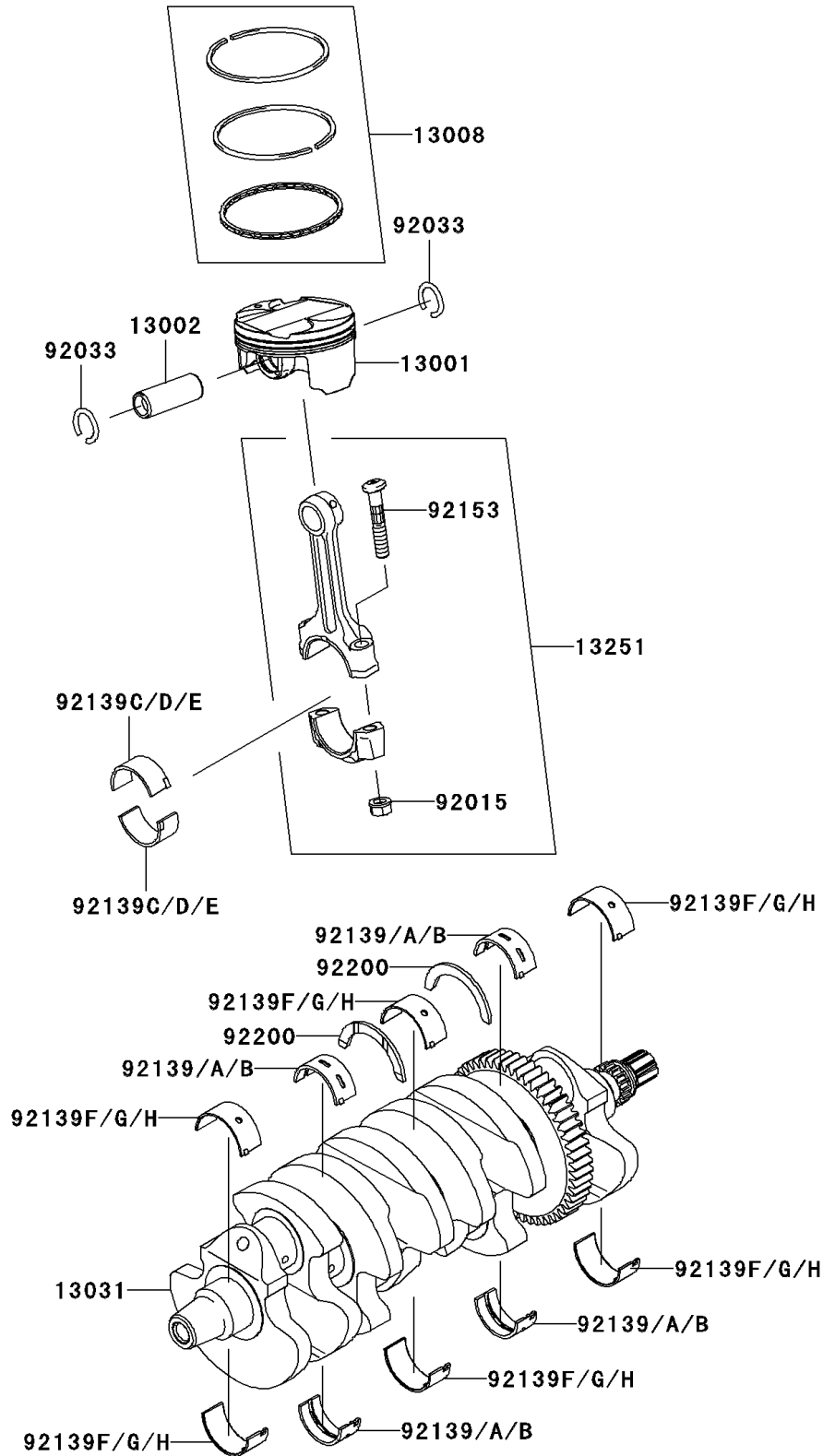


2008 NINJA® ZX™-10R PARTS DIAGRAM

Crankshaft/Piston(s)

E1320



2008 NINJA® ZX™-10R PARTS LIST

Crankshaft/Piston(s)

ITEM NAME	PART NUMBER	QUANTITY
PISTON-ENGINE (Ref # 13001)	13001-0098	1
PIN-PISTON (Ref # 13002)	13002-0004	1
RING-SET-PISTON (Ref # 13008)	13008-0005	1
CRANKSHAFT-COMP (Ref # 13031)	13031-0108	1
ROD-ASSY-CONNECTING,I (Ref # 13251)	13251-0023-II	1
NUT,FLANGED,8MM (Ref # 92015)	92015-1311	1
RING-SNAP (Ref # 92033)	92033-1054	1
BUSHING,CRANK #2,BLUE (Ref # 92139)	92139-0032	1
BUSHING,CRANK #2,BLACK (Ref # 92139A)	92139-0033	1
BUSHING,CRANK #2,BROWN (Ref # 92139B)	92139-0034	1
BUSHING,CRANK PIN,BLUE (Ref # 92139C)	92139-0122	1
BUSHING,CRANK PIN,BLACK (Ref # 92139D)	92139-0123	1
BUSHING,CRANK PIN,BROWN (Ref # 92139E)	92139-0124	1
BUSHING,CRANK,#1,BLUE (Ref # 92139F)	92139-0217	1
BUSHING,CRANK,#1,BLACK (Ref # 92139G)	92139-0218	1
BUSHING,CRANK,#1,BROWN (Ref # 92139H)	92139-0219	1
BOLT,CON-ROD,M8X45.5 (Ref # 92153)	92153-0809	1
WASHER,T=3.25 (Ref # 92200)	92200-0424	1