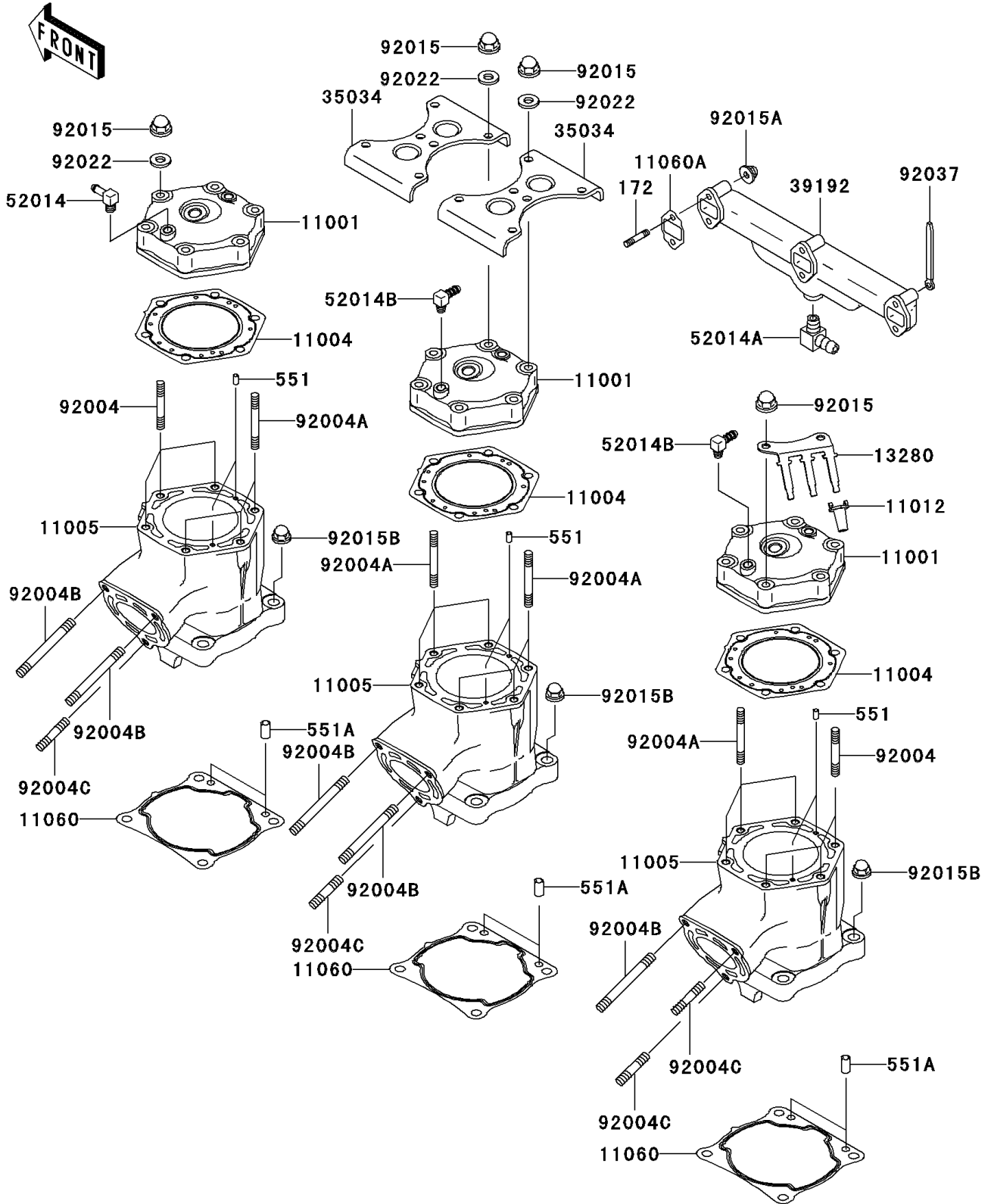


2002 JET SKI® 1200 STX®-R PARTS DIAGRAM

Cylinder Head/Cylinder

E1110



2002 JET SKI® 1200 STX®-R PARTS LIST

Cylinder Head/Cylinder

| ITEM NAME | PART NUMBER | QUANTITY |
|------------------------------------|-------------|----------|
| BOLT-STUD,6X35 (Ref # 172) | 172R0635 | 1 |
| PIN-DOWEL (Ref # 551) | 551R0408 | 1 |
| PIN-DOWEL (Ref # 551A) | 551R0812 | 1 |
| HEAD-CYLINDER (Ref # 11001) | 11001-3741 | 1 |
| GASKET-HEAD (Ref # 11004) | 11004-3717 | 1 |
| CYLINDER-ENGINE (Ref # 11005) | 11005-3744 | 1 |
| CAP,HOLDER (Ref # 11012) | 11012-3768 | 1 |
| GASKET,CYLINDER BASE (Ref # 11060) | 11060-3783 | 1 |
| GASKET,WATER PIPE (Ref # 11060A) | 11060-3784 | 1 |
| HOLDER (Ref # 13280) | 13280-3720 | 1 |
| REINFORCE (Ref # 35034) | 35034-3726 | 1 |
| PIPE-WATER (Ref # 39192) | 39192-3701 | 1 |
| ELBOW (Ref # 52014) | 52014-3709 | 1 |
| ELBOW (Ref # 52014A) | 52014-3711 | 1 |
| ELBOW (Ref # 52014B) | 52014-3713 | 1 |
| STUD,8X43 (Ref # 92004) | 92004-3715 | 1 |
| STUD,8X53 (Ref # 92004A) | 92004-3734 | 1 |
| STUD,8X97 (Ref # 92004B) | 92004-3735 | 1 |
| STUD,8X40,L=56 (Ref # 92004C) | 92004-3736 | 1 |
| NUT,CAP,8MM (Ref # 92015) | 92015-1371 | 1 |
| NUT,CAP,6MM (Ref # 92015A) | 92015-1385 | 1 |
| NUT,10MM (Ref # 92015B) | 92015-1649 | 1 |
| WASHER,8.2X18X1.5 (Ref # 92022) | 92022-1964 | 1 |
| CLAMP,L=100 (Ref # 92037) | 92037-3736 | 1 |