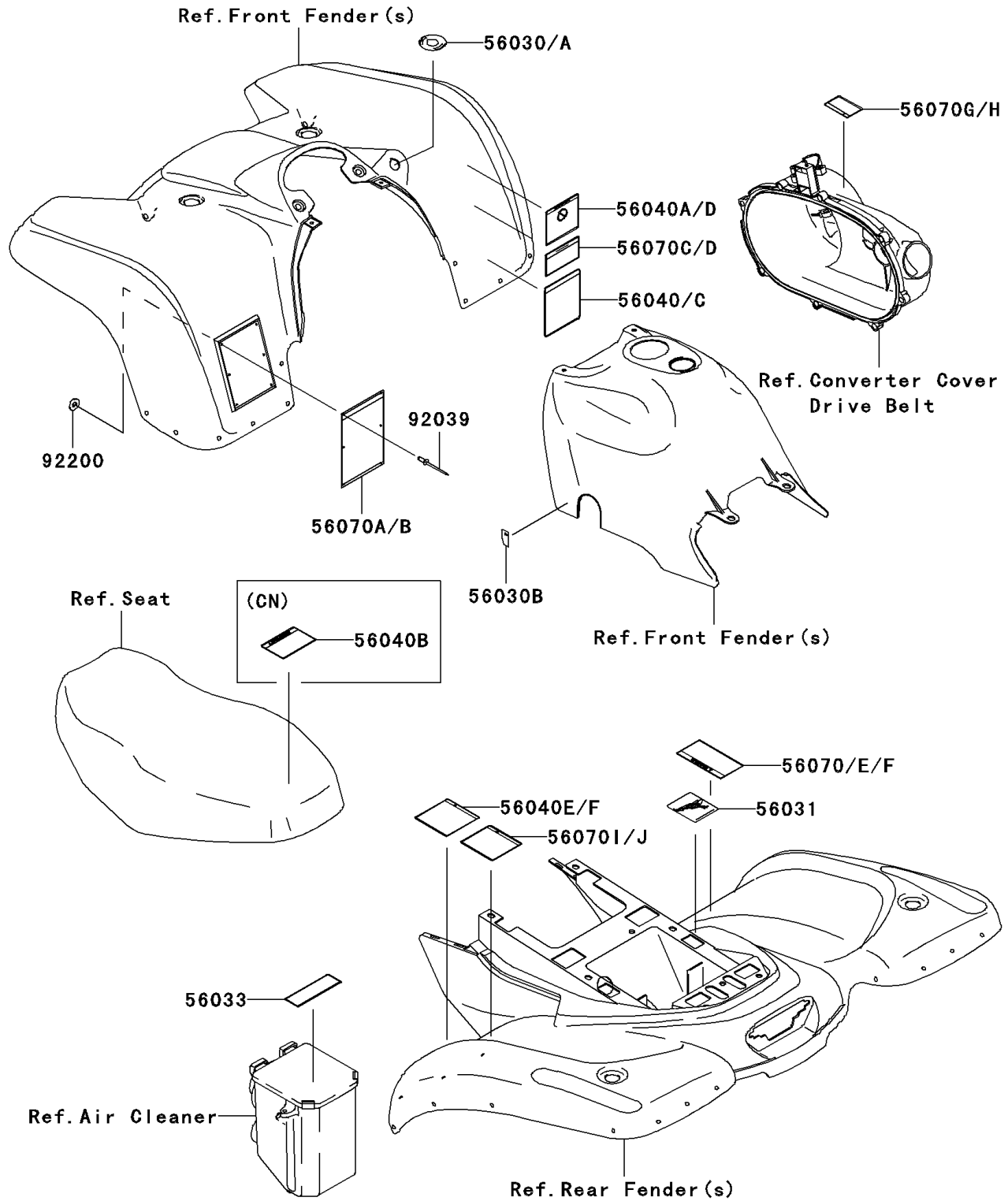


2003 Prairie® 360 4x4 Advantage Classic PARTS DIAGRAM

Labels(C1/C2)

F2860



2003 Prairie® 360 4x4 Advantage Classic PARTS LIST

Labels(C1/C2)

ITEM NAME	PART NUMBER	QUANTITY
LABEL,IGNITION SWITCH (Ref # 56030A)	56030-1086	1
LABEL,FUEL TAP (Ref # 56030B)	56030-1185	1
LABEL-MANUAL,BATTERY VENT (Ref # 56031)	56031-1963	1
LABEL-MANUAL,MANUAL (Ref # 56033)	56033-1263	1
LABEL-WARNING,TRANSPORT (Ref # 56040)	56040-1261	1
LABEL-WARNING,UNDER 16 (Ref # 56040A)	56040-1276	1
LABEL-WARNING,MAX VEHICLE LOAD (Ref # 56040E)	56040-1331	1
LABEL-WARNING,SERIOUS INJURY (Ref # 56070A)	56070-1151	1
LABEL-WARNING,SHIFT LEVER (Ref # 56070C)	56070-1170	1
LABEL-WARNING,DRIVE BELT (Ref # 56070F)	56070-1254	1
LABEL-WARNING,CVT COVER (Ref # 56070G)	56070-1269	1
LABEL-WARNING,TIRE INFO (Ref # 56070I)	56070-7501	1
RIVET,3.2X8 (Ref # 92039)	92039-3763	1
WASHER,3.5X8X1 (Ref # 92200)	92200-1251	1
LABEL-WARNING,NO PASSENGER (Ref # 56040B)	56040-1280	1
LABEL-WARNING,TRANSPORT (Ref # 56040C)	56040-1283	1
LABEL-WARNING,AGE (Ref # 56040D)	56040-1325	1
LABEL-WARNING,MAX VEHICLE LOAD (Ref # 56040F)	56040-1338	1
LABEL-WARNING,GENERAL (Ref # 56070B)	56070-1163	1
LABEL-WARNING,SHIFT LEVER(FREN (Ref # 56070D)	56070-1179	1
LABEL-WARNING,DRIVE BELT(FRENC (Ref # 56070E)	56070-1244	1
LABEL-WARNING,CVT COVER(FRENCH (Ref # 56070H)	56070-1271	1
LABEL-WARNING,TIRE INFO (Ref # 56070J)	56070-7502	1