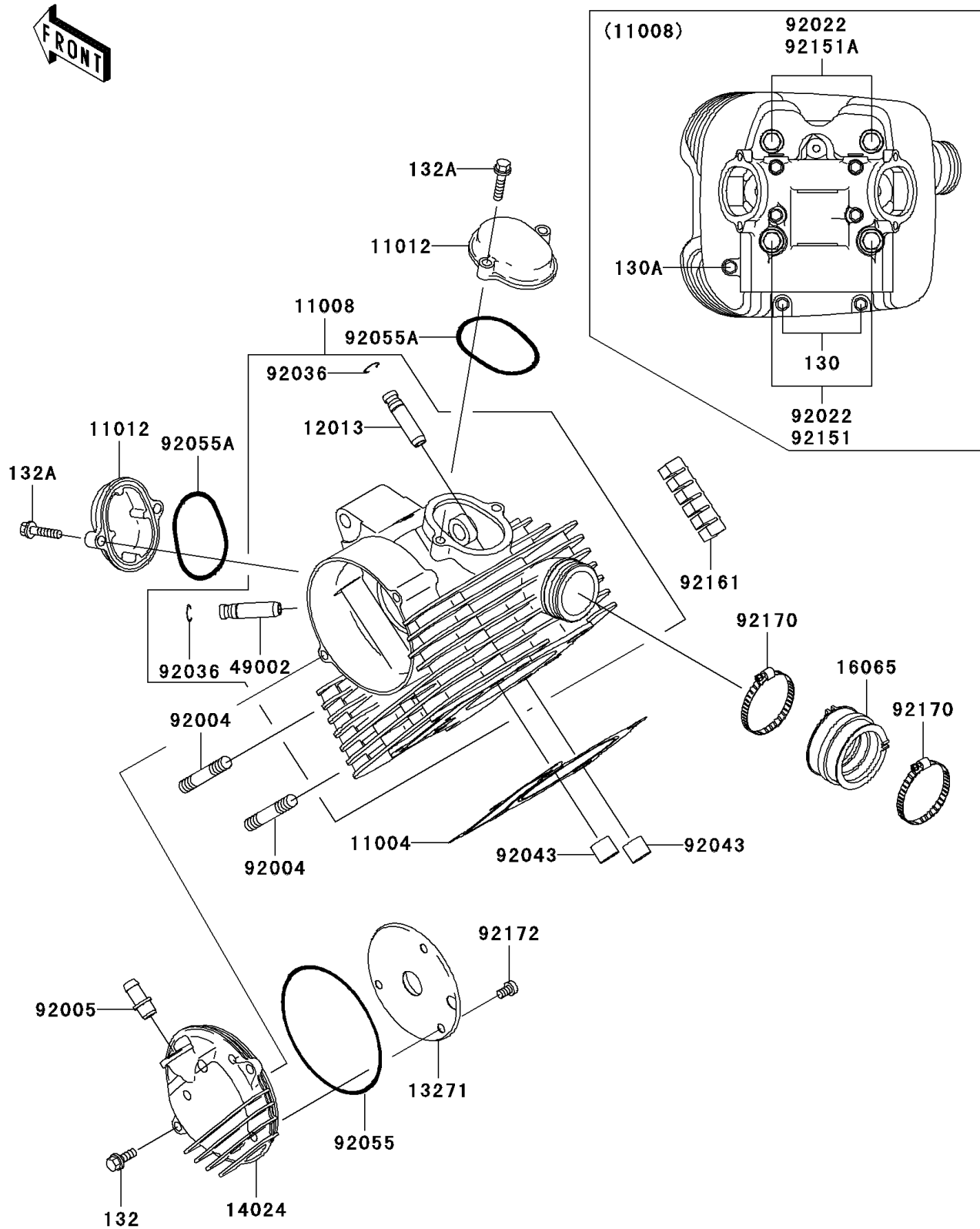


2003 Prairie® 360 4x4 Advantage Classic PARTS DIAGRAM

Cylinder Head

E1111



2003 Prairie® 360 4x4 Advantage Classic PARTS LIST

Cylinder Head

ITEM NAME	PART NUMBER	QUANTITY
BOLT-FLANGED,6X25 (Ref # 130)	130Z06130	1
BOLT-FLANGED (Ref # 130A)	130Z0690	1
BOLT-FLANGED-SMALL (Ref # 132)	132Y0616	1
BOLT-FLANGED-SMALL (Ref # 132A)	132Y0625	1
GASKET-HEAD (Ref # 11004)	11004-1379	1
HEAD-COMP-CYLINDER (Ref # 11008)	11008-1415	1
CAP,ROCKER ARM (Ref # 11012)	11012-1486	1
GUIDE-VALVE,INTAKE (Ref # 12013)	12013-009	1
PLATE,SPROCKET (Ref # 13271)	13271-1863	1
COVER,CAMSHAFT (Ref # 14024)	14024-1060	1
HOLDER-CARBURETOR (Ref # 16065)	16065-1379	1
GUIDE-VALVE,EXHAUST (Ref # 49002)	49002-1002	1
STUD,8X22 (Ref # 92004)	92004-1217	1
FITTING,BREATHER PIPE (Ref # 92005)	92005-1124	1
WASHER,11.5X20.5X1.6 (Ref # 92022)	92022-1720	1
RING-SNAP,VALVE GUIDE (Ref # 92036)	92036-023	1
PIN,13X16X14 (Ref # 92043)	92043-1608	1
RING-O,99MM (Ref # 92055)	92055-107	1
RING-O,53.5X2.6 (Ref # 92055A)	92055-112	1
BOLT,M11X245 (Ref # 92151)	92151-1961	1
BOLT,M11X220 (Ref # 92151A)	92151-1962	1
DAMPER,CYLINDER (Ref # 92161)	92161-1312	1
CLAMP (Ref # 92170)	92170-1674	1
SCREW,6X10 (Ref # 92172)	92172-1076	1