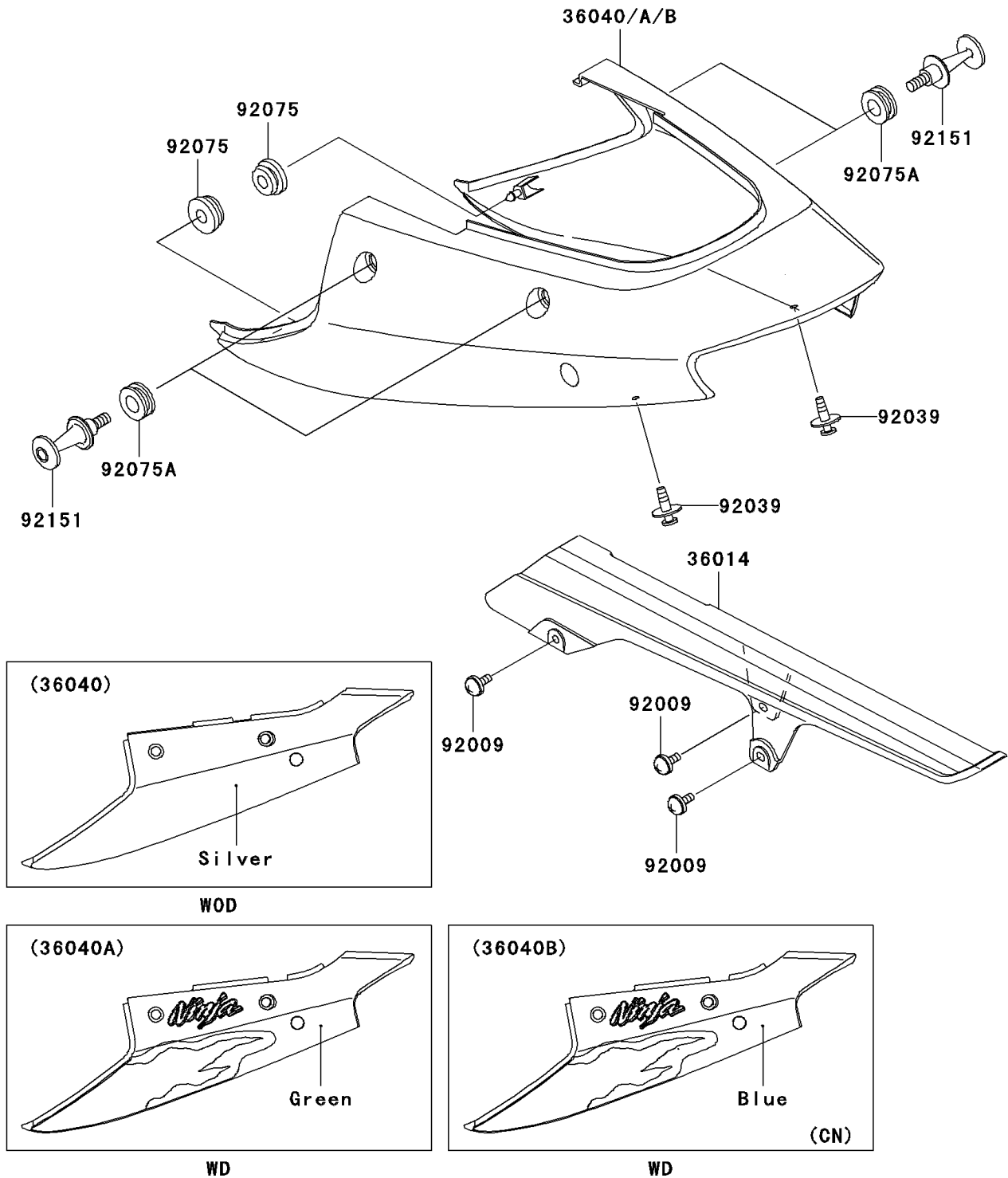


## 2001 NINJA® ZX™-12R PARTS DIAGRAM

Side Covers/Chain Cover

F2610



## 2001 NINJA® ZX™-12R PARTS LIST

Side Covers/Chain Cover

ITEM NAME	PART NUMBER	QUANTITY
CASE-CHAIN (Ref # 36014)	36014-1237	1
COVER-TAIL,M.P.SILVER (Ref # 36040)	36040-1053-GU	1
COVER-TAIL,C.L.GREEN (Ref # 36040A)	36040-5014-8N	1
SCREW,6X10 (Ref # 92009)	92009-1661	1
RIVET (Ref # 92039)	92039-1227	1
DAMPER (Ref # 92075)	92075-1011	1
DAMPER (Ref # 92075A)	92075-1634	1
BOLT (Ref # 92151)	92151-1552	1
COVER-TAIL,C.L.BLUE (Ref # 36040B)	36040-5015-E1	1