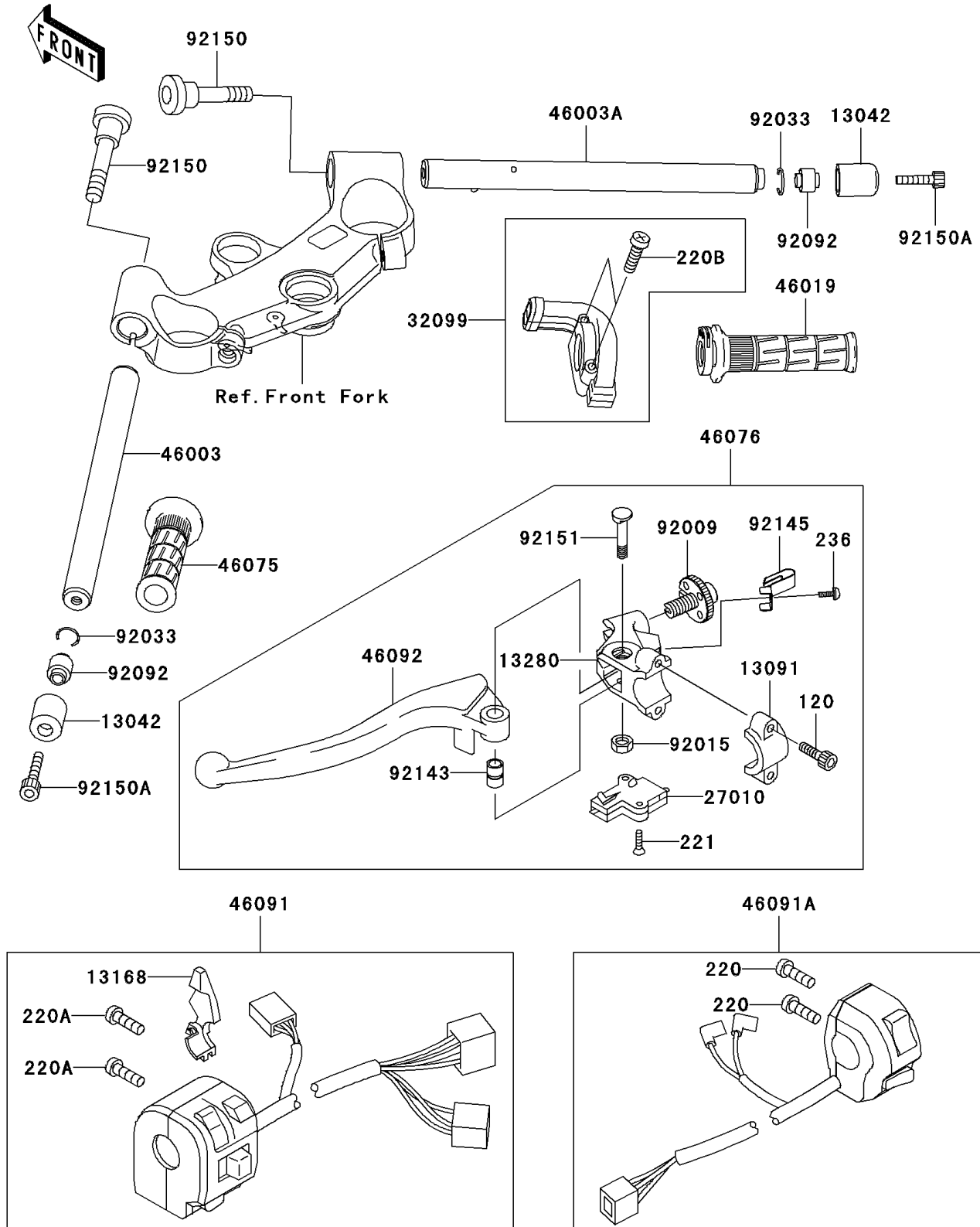


2001 NINJA® ZX™-12R PARTS DIAGRAM

Handlebar

F2310



2001 NINJA® ZX™-12R PARTS LIST

Handlebar

| ITEM NAME | PART NUMBER | QUANTITY |
|--|-------------|----------|
| BOLT-SOCKET,6X20 (Ref # 120) | 120S0620 | 1 |
| SCREW-PAN-CROS (Ref # 220) | 220C0522 | 1 |
| SCREW-PAN-CROS (Ref # 220A) | 220C0525 | 1 |
| SCREW-PAN-CROS (Ref # 220B) | 220C0535 | 1 |
| SCREW-CSK-CROS (Ref # 221) | 221C0316 | 1 |
| SCREW-PAN-WSP-CROS,4X10 (Ref # 236) | 236C0410 | 1 |
| WEIGHT,HANDLE (Ref # 13042) | 13042-1006 | 1 |
| HOLDER,CLUTCH LEVER (Ref # 13091) | 13091-1624 | 1 |
| LEVER,CHOKE (Ref # 13168) | 13168-1516 | 1 |
| HOLDER,CLUTCH LEVER (Ref # 13280) | 13280-1160 | 1 |
| SWITCH,CLUTCH,BLACK (Ref # 27010) | 27010-1094 | 1 |
| CASE,THROTTLE CABLE (Ref # 32099) | 32099-1193 | 1 |
| HANDLE,LH (Ref # 46003) | 46003-1523 | 1 |
| HANDLE,RH (Ref # 46003A) | 46003-1550 | 1 |
| GRIP-ASSY,THROTTLE (Ref # 46019) | 46019-1095 | 1 |
| GRIP,LH (Ref # 46075) | 46075-1144 | 1 |
| LEVER-ASSY-GRIP,CLUTCH (Ref # 46076) | 46076-1234 | 1 |
| HOUSING-ASSY-CONTROL,LH (Ref # 46091) | 46091-1716 | 1 |
| HOUSING-ASSY-CONTROL,RH (Ref # 46091A) | 46091-1809 | 1 |
| LEVER-GRIP,CLUTCH (Ref # 46092) | 46092-1214 | 1 |
| SCREW (Ref # 92009) | 92009-1910 | 1 |
| NUT,LOCK,6MM,BLACK (Ref # 92015) | 92015-1191 | 1 |
| RING-SNAP,OD=22.2 (Ref # 92033) | 92033-1102 | 1 |
| BUSHING-RUBBER,HANDLE (Ref # 92092) | 92092-1018 | 1 |
| COLLAR (Ref # 92143) | 92143-1351 | 1 |
| SPRING (Ref # 92145) | 92145-1286 | 1 |
| BOLT,SOCKET,10X37 (Ref # 92150) | 92150-1469 | 1 |
| BOLT,SOCKET,8X30 (Ref # 92150A) | 92150-1604 | 1 |
| BOLT (Ref # 92151) | 92151-1523 | 1 |