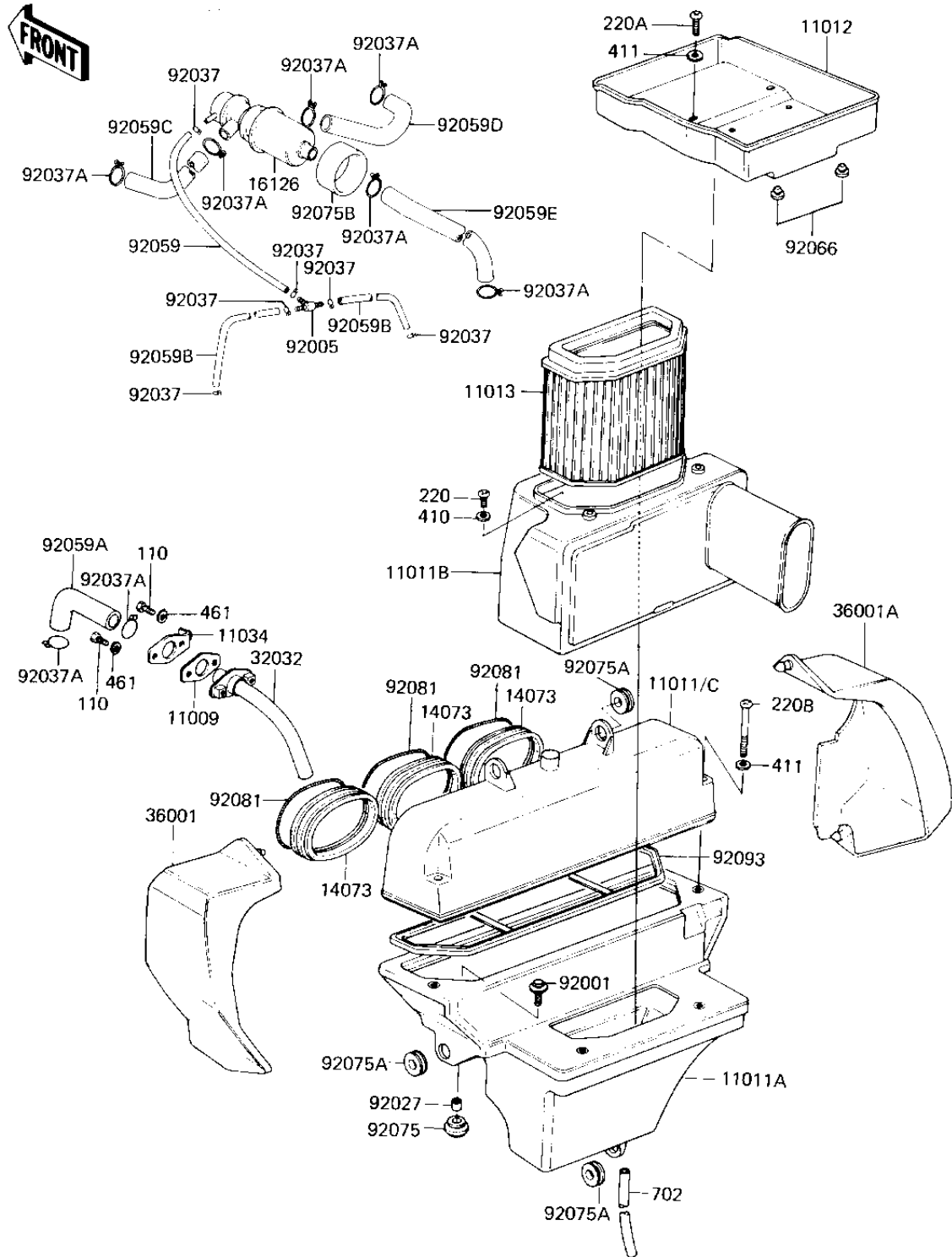


## 1982 KZ1300 Standard PARTS DIAGRAM

AIR CLEANER

E1130-0078



## 1982 KZ1300 Standard PARTS LIST

### AIR CLEANER

ITEM NAME	PART NUMBER	QUANTITY
GASKET,BREATHER PIPE (Ref # 11009)	11009-1097	1
CASE,AIR CLEANER,FRNT (Ref # 11011)	11011-1021	1
CASE,AIR CLEANER LOWR (Ref # 11011A)	11011-1022	1
CASE,AIR CLEANER,REAR (Ref # 11011B)	11011-1023	1
CASE,AIR CLEANER,FR (Ref # 11011C)	11011-1098	1
CAP,AIR CLEANER (Ref # 11012)	11012-1062	1
ELEMENT,AIR CLNR (Ref # 11013)	11013-1014	1
BRACKET,FUEL VALVE (Ref # 11034)	11034-1561	1
DUCT,AIR CLEANER (Ref # 14073)	14073-1015	1
VALVE ASSY,AIR SWITNG (Ref # 16126)	16126-1015	1
PIPE,BREATHER (Ref # 32032)	32032-1199	1
COVER-SIDE AR FLTR,LH (Ref # 36001)	36001-1121	1
COVER SIDE AR FLTR RH (Ref # 36001A)	36001-1122	1
BOLT,6X25,W/WASHER (Ref # 92001)	92001-1140	1
FITTING,TUBE (Ref # 92005)	92005-1017	1
COLLAR 6.8X10X10.5 (Ref # 92027)	92027-120	1
CLAMP-PIPE (Ref # 92037)	92037-072	1
CLAMP,BREATHER TUBE (Ref # 92037A)	92037-213	2
TUBE,VACUUM,LONG (Ref # 92059)	92059-1162	1
TUBE,BREATHER PIPE (Ref # 92059A)	92059-1053	1
TUBE,4X5X100,VACUUM (Ref # 92059B)	92059-1058	1
TUBE,SWITCH VALVE,L.H (Ref # 92059C)	92059-1076	1
TUBE,SWITCH VALVE,R.H (Ref # 92059D)	92059-1077	1
TUBE,SWITH VALVE,CLNR (Ref # 92059E)	92059-1078	1
PLUG,RUBBER (Ref # 92066)	92074-028	1
DAMPER,AIR CLEANER (Ref # 92075)	92075-1124	1
DAMPER,CLEANER COVER (Ref # 92075A)	92075-1126	1
DAMPER,AIR SWITCHNG,V (Ref # 92075B)	92075-1195	1
SPRING,CLEANER DUCT (Ref # 92081)	92081-1150	1

## 1982 KZ1300 Standard PARTS LIST

### AIR CLEANER

ITEM NAME	PART NUMBER	QUANTITY
SEAL,CLEANER LWR CASE (Ref # 92093)	92093-1025	1
BOLT-UPSET,6X16 (Ref # 110)	112G0616	1
SCREW PAN HEAD 6X12 (Ref # 220)	220B0612	1
SCREW PAN HEAD 6X20 (Ref # 220A)	220B0620	1
SCREW PAN HEAD 6X55 (Ref # 220B)	220B0655	1
WASHER PLAIN 6MM (Ref # 410)	410B0600	1
WASHER PLAIN 6MM (Ref # 411)	411B0600	1
WASHER SPRING 6MM (Ref # 461)	461F0600	1
TUBE-RUBBER,6X110 (Ref # 702)	702A06110	1