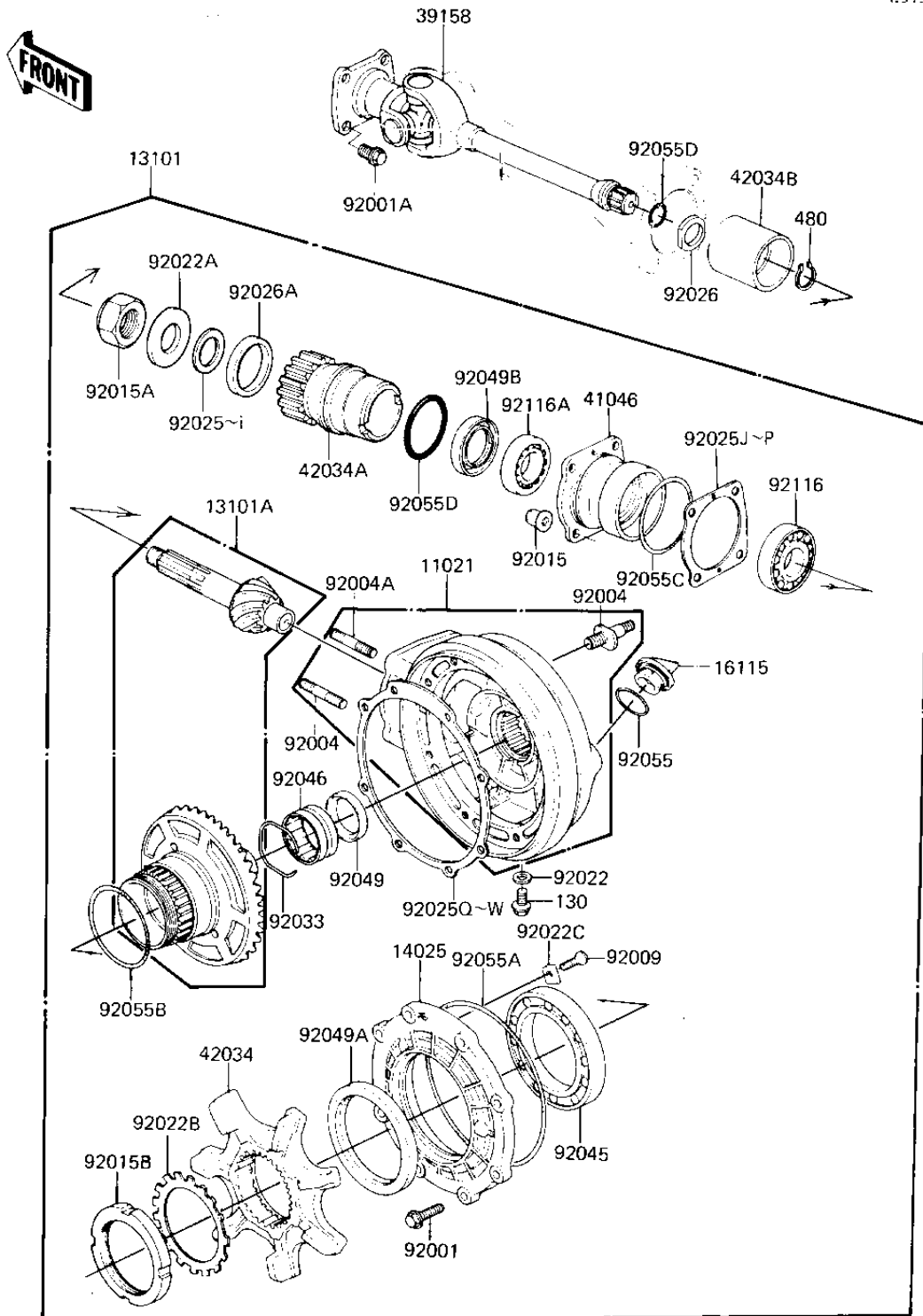


## 1982 KZ1300 Standard PARTS DIAGRAM

DRIVE SHAFT/FINAL GEARS

E3132-0001



## 1982 KZ1300 Standard PARTS LIST

DRIVE SHAFT/FINAL GEARS

ITEM NAME	PART NUMBER	QUANTITY
CASE ASSY,FINAL GEAR (Ref # 11021)	11021-1009	1
GEAR ASSY, FINAL (Ref # 13101)	13101-1017	1
GEAR SET,FINAL BEVEL (Ref # 13101A)	13101-5026	1
COVER,FINAL GEAR CASE (Ref # 14025)	14025-1066	1
CAP (Ref # 16115)	16115-1003	1
SHAFT-ASSY-DRIVE (Ref # 39158)	39158-1004	1
HOUSING,BEARING,FINAL (Ref # 41046)	41046-1008	1
COUPLING,REAR HUB (Ref # 42034)	42034-1007	1
COUPLING,PROPELLER,LN (Ref # 42034A)	42034-1023	1
COUPLING,PROPELLER SH (Ref # 42034B)	42034-1092	1
BOLT,8X28 (Ref # 92001)	92001-1095	1
BOLT,12X15,COUPLING (Ref # 92001A)	92001-1139	1
STUD (Ref # 92004)	92004-1020	1
STUD,10X31.5 (Ref # 92004A)	92004-1021	1
SCREW,COUNTERSNK,6X16 (Ref # 92009)	92009-1041	1
NUT,10MM (Ref # 92015)	92015-1415	1
NUT,16M/M (Ref # 92015A)	92015-1059	1
NUT,75M/M,RING GEAR (Ref # 92015B)	92015-1060	1
WASHER (Ref # 92022)	92022-1086	1
WASHER (Ref # 92022A)	92022-1105	1
WASHER,75M/M,RING GER (Ref # 92022B)	92022-1106	1
WASHER,BEARING STOPPR (Ref # 92022C)	92022-1112	1
SHIM (Ref # 92025)	92025-1027	1
SHIM (Ref # 92025A)	92025-1028	1
SHIM (Ref # 92025B)	92025-1029	1
SHIM (Ref # 92025C)	92025-1030	1
SHIM (Ref # 92025D)	92025-1031	1
SHIM (Ref # 92025E)	92025-1032	1
SHIM (Ref # 92025F)	92025-1033	1

## 1982 KZ1300 Standard PARTS LIST

DRIVE SHAFT/FINAL GEARS

ITEM NAME	PART NUMBER	QUANTITY
SHIM (Ref # 92025G)	92025-1034	1
SHIM (Ref # 92025H)	92025-1035	1
SHIM (Ref # 92025I)	92025-1036	1
SHIM,73X0.6 (Ref # 92025J)	92025-1037	1
SHIM,73X0.9 (Ref # 92025K)	92025-1038	1
SHIM,73X1.2 (Ref # 92025L)	92025-1039	1
SHIM,73X0.1 (Ref # 92025M)	92025-1040	1
SHIM,73X0.15 (Ref # 92025N)	92025-1041	1
SHIM,73X0.2 (Ref # 92025O)	92025-1042	1
SHIM,73X0.3 (Ref # 92025P)	92025-1043	1
SHIM,168X0.6 (Ref # 92025Q)	92025-1045	1
SHIM,168X0.9 (Ref # 92025R)	92025-1046	1
SHIM,168X1.2 (Ref # 92025S)	92025-1047	1
SHIM,168X0.1 (Ref # 92025T)	92025-1048	1
SHIM,168X0.15 (Ref # 92025U)	92025-1049	1
SHIM,168X0.2 (Ref # 92025V)	92025-1050	1
SHIM,168X0.3 (Ref # 92025W)	92025-1051	1
SPACER,PROPELLER SHAF (Ref # 92026)	92026-1085	1
SPACER,THRUST,26MM (Ref # 92026A)	92026-1102	1
RING,SNAP (Ref # 92033)	92033-1020	1
BEARING,BALL,16016 (Ref # 92045)	92045-1020	1
BEARING (Ref # 92046)	92046-1020	1
OIL SEAL (Ref # 92049)	92049-1025	1
OIL SEAL,S-901159HS (Ref # 92049A)	92049-1026	1
SEAL-OIL,SC32558 (Ref # 92049B)	92049-1082	1
"O" RING,31MM (Ref # 92055)	92055-049	1
"O" RING,159MM (Ref # 92055A)	92055-1030	1
"O" RING,75MM (Ref # 92055B)	92055-1031	1
"O" RING,67MM (Ref # 92055C)	92055-1032	1

## 1982 KZ1300 Standard PARTS LIST

DRIVE SHAFT/FINAL GEARS

ITEM NAME	PART NUMBER	QUANTITY
"O" RING,I.D=32.7MM (Ref # 92055D)	92055-1037	1
BEARING,R,4T30305C (Ref # 92116)	92116-1002	1
BEARING (Ref # 92116A)	92116-1003	1
BOLT,FLANGE (Ref # 130)	130B0812	1
CIRCLIP 26MM (Ref # 480)	480J2600	1