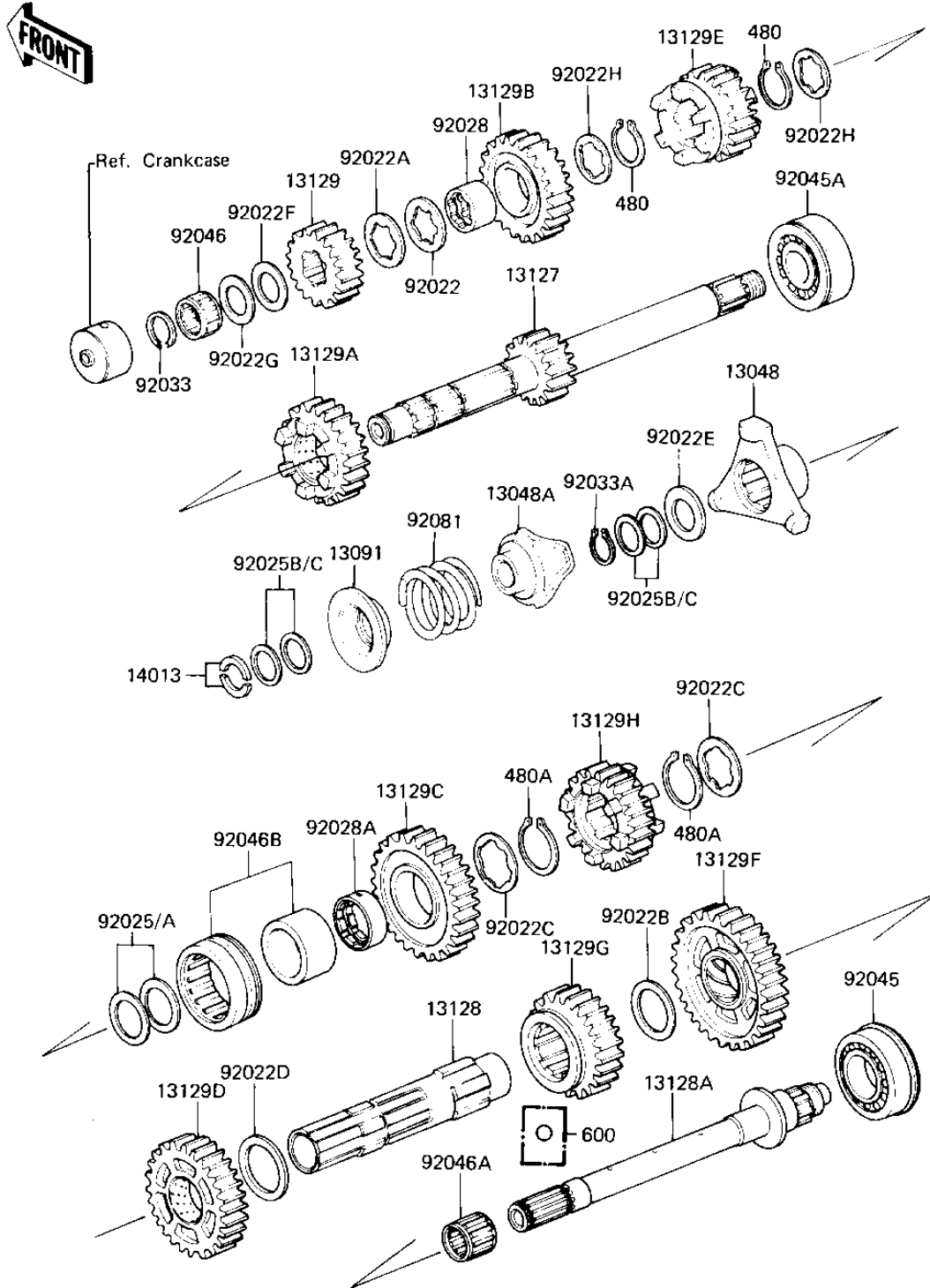


1982 KZ1300 Standard PARTS DIAGRAM

TRANSMISSION

E1361-0066



1982 KZ1300 Standard PARTS LIST

TRANSMISSION

ITEM NAME	PART NUMBER	QUANTITY
CAM-DAMPER (Ref # 13048)	13048-1010	1
CAM-DAMPER (Ref # 13048A)	13048-1011	1
HOLDER,SPRING (Ref # 13091)	13091-1091	1
SHAFT-TRANSMISSION IN (Ref # 13127)	13127-1050	1
SHAFT-OUTPUT,OUTER (Ref # 13128)	13128-1116	1
SHAFT,OUTPUT,21/16T (Ref # 13128A)	13128-1037	1
2ND GEAR,DRIVE SHAFT (Ref # 13129)	13129-1096	1
4TH GEAR,DRIVE SHAFT (Ref # 13129A)	13129-1098	1
GEAR-INPUT TOP,29T (Ref # 13129B)	13129-1592	1
2ND GEAR,DRIVEN SHAFT (Ref # 13129C)	13129-1101	1
3RD GEAR,DRIVEN SHAFT (Ref # 13129D)	13129-1102	1
GEAR,INPUT 3RD,25T (Ref # 13129E)	13129-1256	1
GEAR,OUTPUT LOW,39T (Ref # 13129F)	13129-1257	1
GEAR,OUTPUT 4TH,29T (Ref # 13129G)	13129-1258	1
GEAR-OUTPUT TOP,27T (Ref # 13129H)	13129-1593	1
RING,POSITON (Ref # 14013)	14013-1001	1
WASHER,SPLINED,3.0T (Ref # 92022)	92022-1098	1
WASHER,DRIVE TOP GEAR (Ref # 92022A)	92022-1099	1
WASHER,34.3X44X1.0 (Ref # 92022B)	92022-1100	1
WASHER,SPLINED,1.0T (Ref # 92022C)	92022-1101	1
WASHER,36.3X46X2.0 (Ref # 92022D)	92022-1102	1
WASHER,23.2X38X3.0 (Ref # 92022E)	92022-1103	1
SPACER (I.D=22 O.D=35 (Ref # 92022F)	92026-1020	1
WASHER,PLAIN,22MM (Ref # 92022G)	92022-212	1
WASHER,THRUST,26MM (Ref # 92022H)	92024-042	1
SHIM,34.3X42X0.1 (Ref # 92025)	92025-1002	1
SHIM,34.3X42X0.3 (Ref # 92025A)	92025-1003	1
SHIM,23.3X30.7X0.1 (Ref # 92025B)	92025-1004	1
SHIM,23.3X30.7X0.3 (Ref # 92025C)	92025-1005	1

1982 KZ1300 Standard PARTS LIST

TRANSMISSION

ITEM NAME	PART NUMBER	QUANTITY
BUSHING,INPUT TOP GEA (Ref # 92028)	92028-1302	1
BUSHING,OUTPUT 2ND GE (Ref # 92028A)	92028-1303	1
CIRCLIP,25MM (Ref # 92033)	92033-025	1
CIRCLIP,22.8M/M (Ref # 92033A)	92033-1021	1
BEARING,BALL,#3206 (Ref # 92045)	92045-1018	1
BEARING,BALL,5305NSH2 (Ref # 92045A)	92045-1028	1
BEARING,PK223013.8 (Ref # 92046)	92046-031	1
BEARING,N,K23X28X24 (Ref # 92046A)	92046-1015	1
BEARING-NEEDLE (Ref # 92046B)	92046-1119	1
SPRING,DAMPER (Ref # 92081)	92081-1286	1
CIRCLIP 28MM (Ref # 480)	480J2800	1
CIRCLIP,36M/M (Ref # 480A)	480J3600	1
BALL STEEL 5/32' (Ref # 600)	600A0500	1