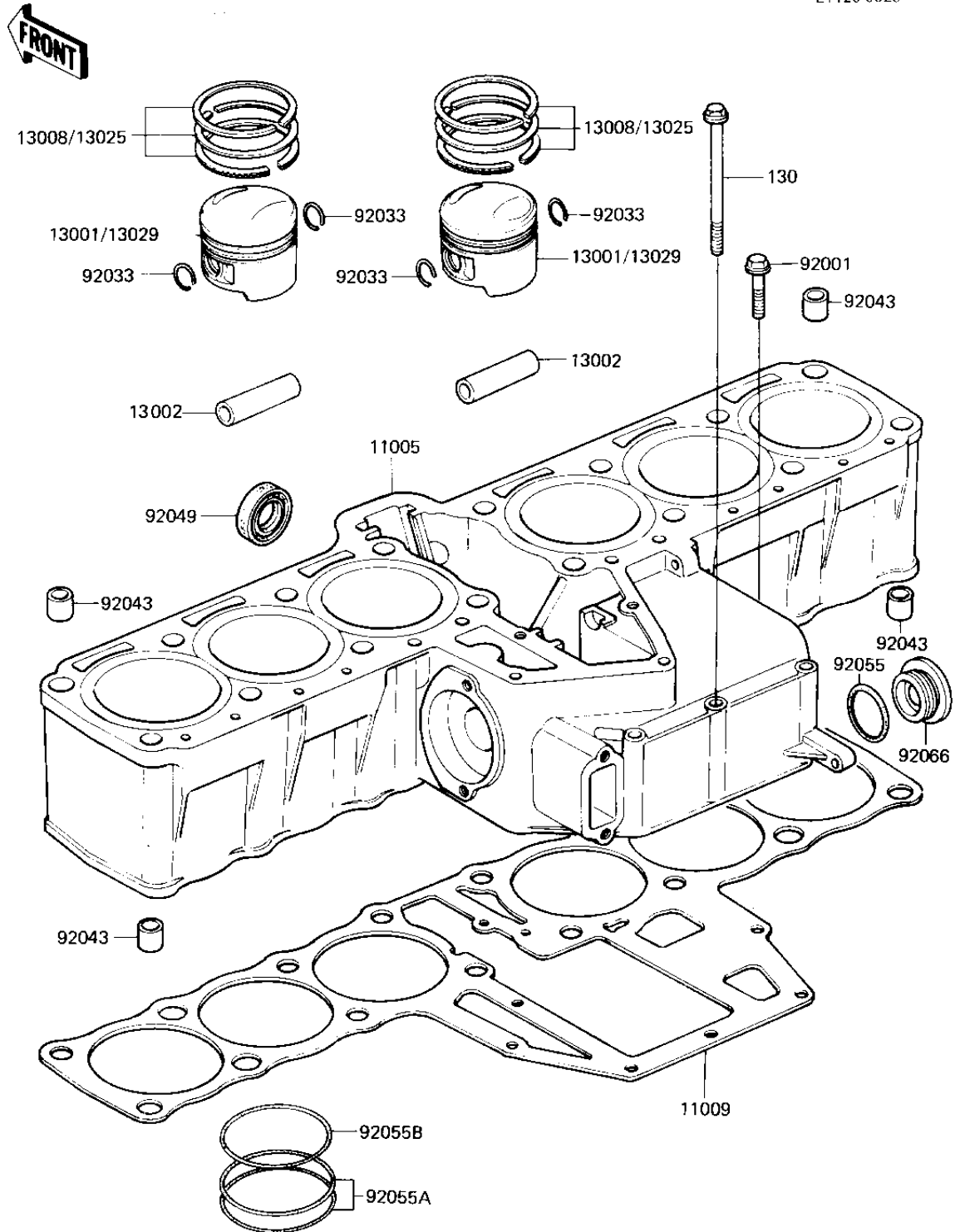


1982 KZ1300 Standard PARTS DIAGRAM

CYLINDER/PISTONS

E1120-0026



1982 KZ1300 Standard PARTS LIST

CYLINDER/PISTONS

ITEM NAME	PART NUMBER	QUANTITY
CYLINDER-ENGINE (Ref # 11005)	11005-1104	1
GASKET,CYLINDER BASE (Ref # 11009)	11009-1101	1
PISTON-ENGINE,STD (Ref # 13001)	13001-1113	1
PIN-PISTON (Ref # 13002)	13002-032	1
RING-SET-PISTON,STD (Ref # 13008)	13008-5059	1
RING-SET-PISTON-L (Ref # 13025)	13025-5025	1
PISTON-ENGINE L,O/S (Ref # 13029)	13029-1061	1
BOLT (Ref # 92001)	92003-202	1
CIRCLIP PISTON PIN (Ref # 92033)	92036-005	1
PIN,11X14X12.3 (Ref # 92043)	92043-1266	1
OIL SEAL,TC17317 (Ref # 92049)	92049-1028	1
"O" RING,RELEASE PLUG (Ref # 92055)	92055-091	1
"O" RING,67MM (Ref # 92055A)	92055-1032	1
"O" RING,67.5MM (Ref # 92055B)	92055-1035	1
PLUG,RELEASE (Ref # 92066)	92067-024	1
BOLT,FLANGED,6X85 (Ref # 130)	130G0685	1