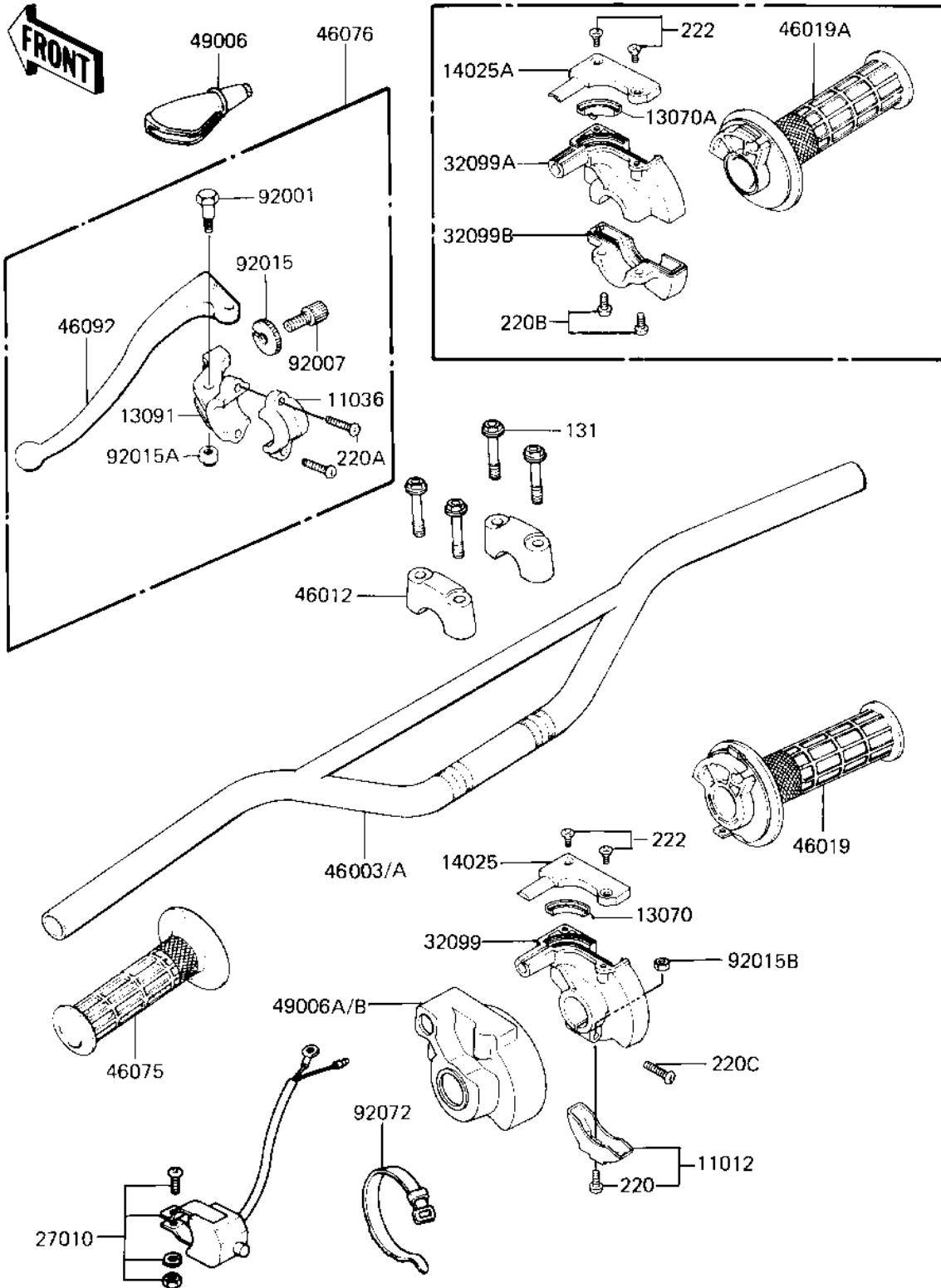


1982 KX™125 PARTS DIAGRAM

HANDLEBAR

Γ2310-0209



1982 KX™125 PARTS LIST

HANDLEBAR

ITEM NAME	PART NUMBER	QUANTITY
CAP, THROTTLE CASE (Ref # 11012)	11012-1271	1
BRACKET-A (Ref # 11036)	11036-1297	1
GUIDE, THROTTLE PEACE (Ref # 13070)	13070-1053	1
HOLDER, CLUTCH LEVER (Ref # 13091)	13091-1131	1
COVER, THROTTLE UPP, RH (Ref # 14025)	14025-1392	1
SWITCH, ASSY, ENG STOP (Ref # 27010)	27010-1018	1
CASE, THROTTLE LWR, RH (Ref # 32099)	32099-1024	1
HANDLEBAR (Ref # 46003)	46003-1093	1
HOLDER-HANDLEBAR (Ref # 46012)	46012-008	1
GRIP-ASSY, THROTTLE (Ref # 46019)	46019-1020	1
GRIP, LH (Ref # 46075)	46075-1024	1
LEVER-ASSY-GRIP (Ref # 46076)	46076-1118	1
LEVER-GRIP, CLUTCH (Ref # 46092)	46092-1110	1
BOOTS, LEVER HOLDER (Ref # 49006)	49006-1017	1
BOOT, THROTTLE CASE, RH (Ref # 49006A)	49006-1082	1
BOLT, HEX HEAD, 6MM (Ref # 92001)	92001-140	1
SCREW, CABLE ADJUST (Ref # 92007)	46055-010	1
NUT, CABLE ADJUST LOCK (Ref # 92015)	46056-006	1
NUT (Ref # 92015A)	92019-008	1
NUT, LOCK, 4MM (Ref # 92015B)	92019-010	1
BAND, SHORT (Ref # 92072)	92072-030	1
BOLT-FLANGED, 8X40 (Ref # 131)	131P0840	1
SCREW PAN HEAD 4X10 (Ref # 220)	220B0410	1
SCREW-PAN-CROS 5X14 (Ref # 220A)	220B0514	1
SCREW PAN HEAD 5X20 (Ref # 220C)	220B0520	1
SCREW OVL CNTSNK 4X12 (Ref # 222)	222E0412	1