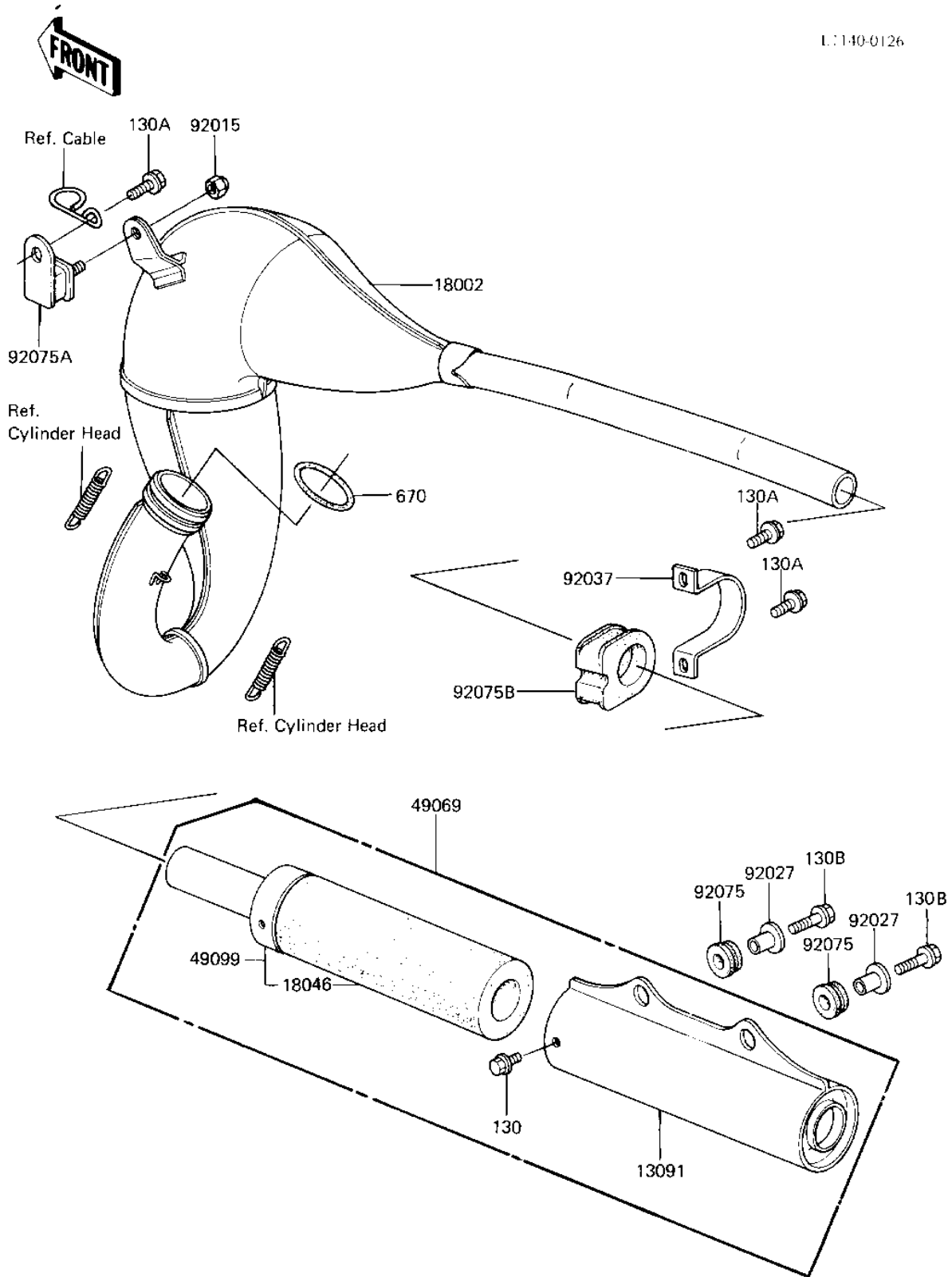


1982 KX™ 125 PARTS DIAGRAM

MUFFLER (KX125-B2)



1982 KX™125 PARTS LIST

MUFFLER (KX125-B2)

ITEM NAME	PART NUMBER	QUANTITY
HOLDER,MUFFLER (Ref # 13091)	13091-1165	1
BODY-COMP-MUFFLER (Ref # 18002)	18002-1293	1
WOOL,BAFFLE PIPE (Ref # 18046)	18046-1016	1
MUFFLER-ASSY (Ref # 49069)	49069-1007	1
BAFFLE-PIPE MUFFLER (Ref # 49099)	49099-1112	1
NUT-6MM (Ref # 92015)	92015-1078	1
COLLAR,SEAT (Ref # 92027)	92027-1062	1
CLAMP,MUFFLER CONNECT (Ref # 92037)	92037-1385	1
DAMPER, HEAD LMP FITT (Ref # 92075)	92075-1123	1
DAMPER,MUFFLER (Ref # 92075A)	92075-1891	1
DAMPER,MUFFLER CONNEC (Ref # 92075B)	92075-1440	1
BOLT-FLANGED (Ref # 130)	130G0508	1
BOLT,FLANGED,6X12 (Ref # 130A)	130G0612	1
BOLT,FLANGED,6X20 (Ref # 130B)	130G0620	1
"O" RING,45M/M (Ref # 670)	670E3045	1