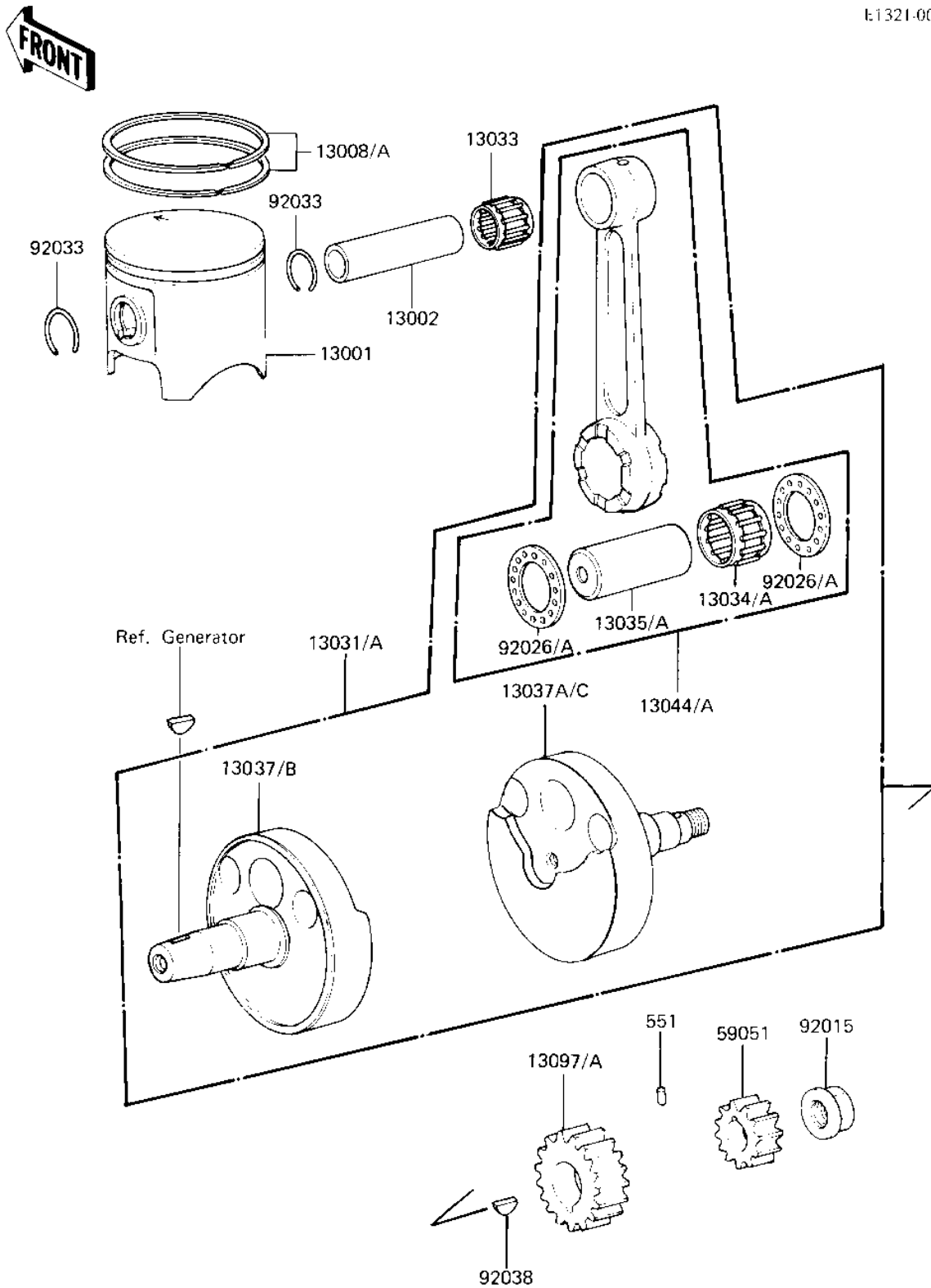


1982 KX™ 125 PARTS DIAGRAM

CRANKSHAFT/PISTON

E:1321-0046



1982 KX™125 PARTS LIST

CRANKSHAFT/PISTON

ITEM NAME	PART NUMBER	QUANTITY
PISTON-ENGINE (Ref # 13001)	13001-1198	1
PIN-PISTON (Ref # 13002)	13002-1003	1
RING-SET-PISTON (Ref # 13008)	13008-5045	1
13031-1090 (Canada) (Ref # 13031)	13031-1063	1
CRANKSHAFT-COMP (Ref # 13031A)	13031-1090	1
BEARING-SMALL END (Ref # 13033)	13033-1007	1
BEARING-BIG END (Ref # 13034)	13034-1079	2
PIN,CRANK (Ref # 13035)	13035-1001	1
CRANKSHAFT,LH (Ref # 13037)	13037-1121	1
CRANKSHAFT,RH (Ref # 13037A)	13037-1122	1
CRANKSHAFT,LH (Ref # 13037B)	13037-1167	1
CRANKSHAFT,RH (Ref # 13037C)	13037-1168	1
SET-CONNECTING ROD (Ref # 13044)	13044-5018	1
GEAR-PRIMARY SPUR,18T (Ref # 13097)	13097-1053	1
GEAR-SPUR,WATER PUMP, (Ref # 59051)	59051-1035	1
NUT,10MM (Ref # 92015)	92015-1161	1
WASHER SIDE (Ref # 92026)	92026-011	1
CIRCLIP PISTON PIN (Ref # 92033)	92036-004	1
WOODRUFF KEY PRY PINI (Ref # 92038)	92038-003	1
PIN,DOWEL,4X8 (Ref # 551)	551A0408	1