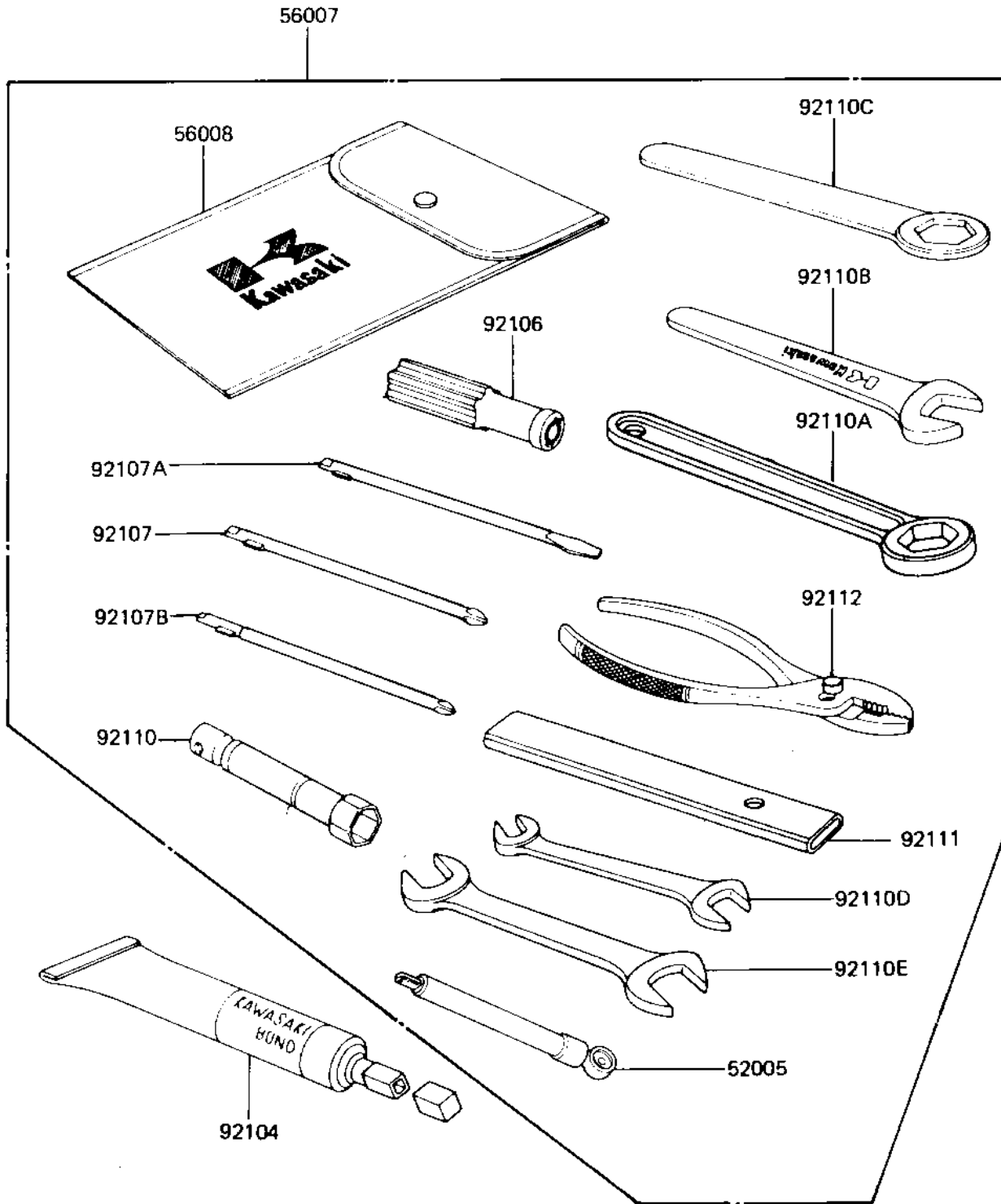


1982 750 CSR-Twin PARTS DIAGRAM

OWNER TOOLS

F2810-0037



1982 750 CSR-Twin PARTS LIST

OWNER TOOLS

| ITEM NAME | PART NUMBER | QUANTITY |
|-------------------------------------|-------------|----------|
| GAUGE,AIR,3.5KG/CM2 (Ref # 52005) | 52005-1031 | 1 |
| TOOLKIT (Ref # 56007) | 56007-1071 | 1 |
| BAG,TOOL (Ref # 56008) | 56008-009 | 1 |
| LIQUID GASKET (Ref # 92104) | 92104-002 | 1 |
| GRIP,SCREW DRIVER (Ref # 92106) | 92106-1001 | 1 |
| TOOL-DRIVER (Ref # 92107) | 92107-1052 | 1 |
| 92107-1052 (Canada) (Ref # 92107A) | 92107-007 | 1 |
| 92107-1002 (Canada) (Ref # 92107B) | 92107-008 | 1 |
| WRENCH,SPARK PLUG (Ref # 92110) | 92108-008 | 1 |
| TOOL-WRENCH,BOX END, (Ref # 92110A) | 92110-1147 | 1 |
| WRENCH,OPEN END,19M/ (Ref # 92110B) | 92110-1004 | 1 |
| WRENCH,BOX 22MM (Ref # 92110C) | 92110-1024 | 1 |
| TOOL-WRENCH,OPEN END (Ref # 92110D) | 92110-1038 | 1 |
| TOOL-WRENCH,OPEN END (Ref # 92110E) | 92110-1153 | 1 |
| TOOL-WRENCH,OPEN END, (Ref # 92119) | 92111-004 | 1 |
| PLIERS,160MM (Ref # 92112) | 92112-003 | 1 |