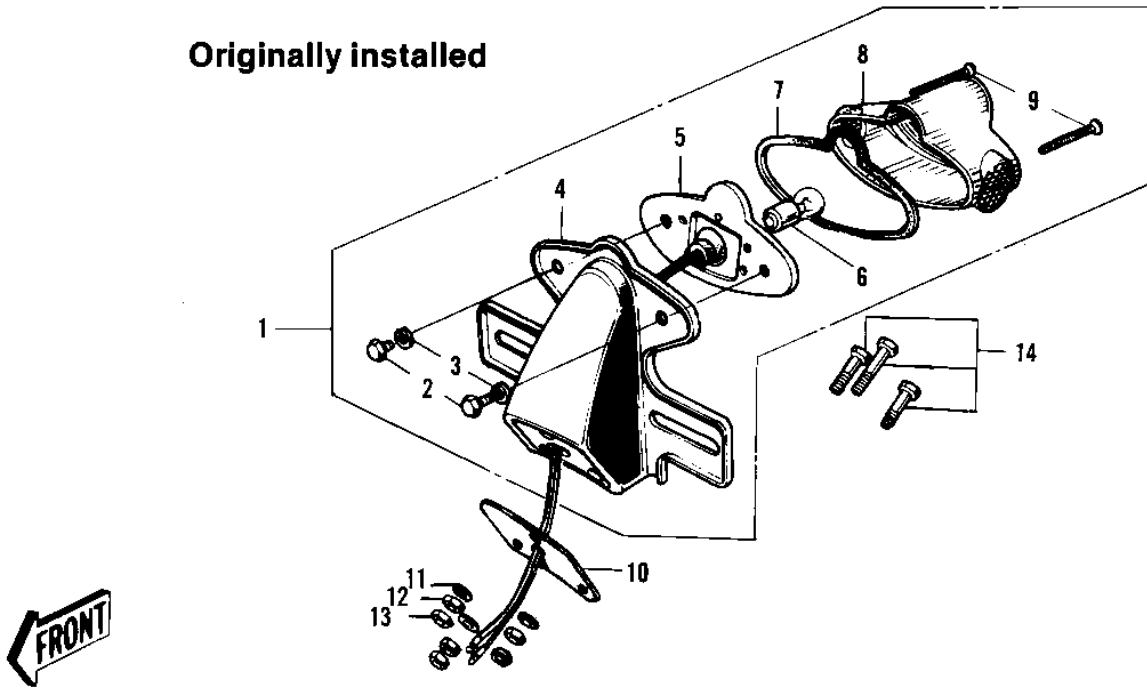


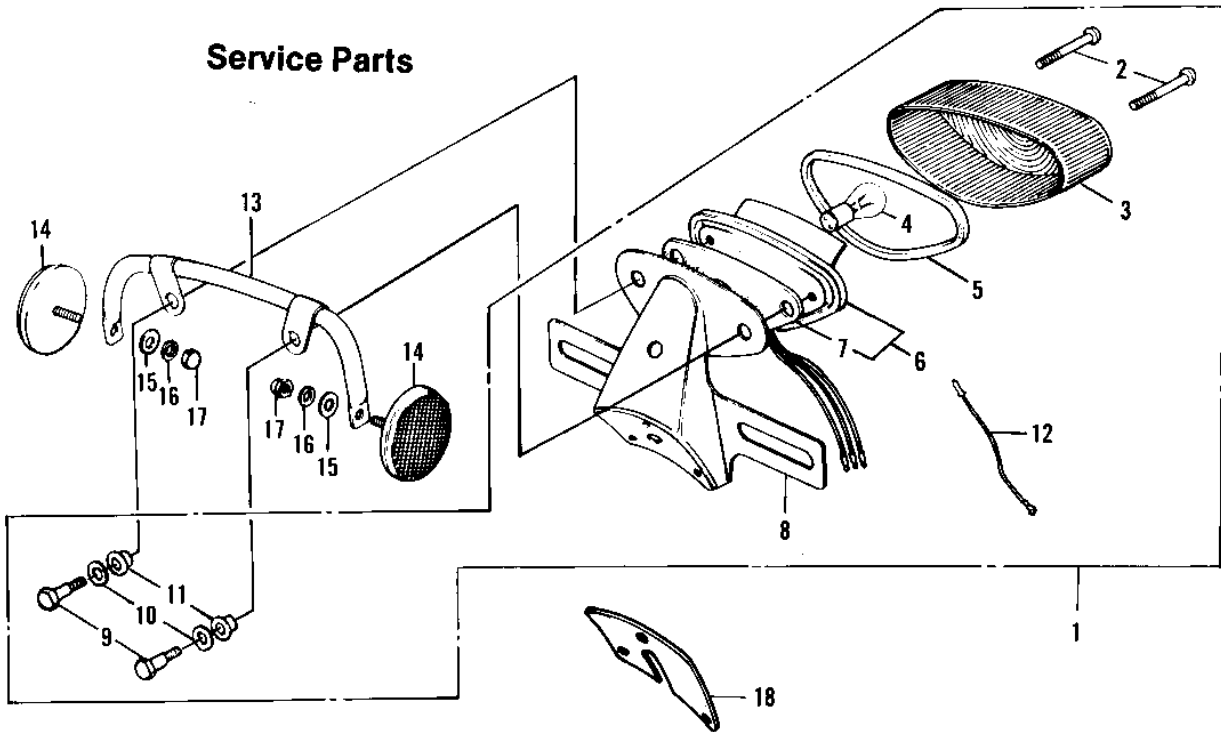
1968 PARTS DIAGRAM

TAILLIGHT

Originally installed



Service Parts



1968 PARTS LIST

TAILLIGHT

ITEM NAME	PART NUMBER	QUANTITY
LAMP ASSY TAIL (Ref # 1)	23025-027	1
LAMP ASSY TAIL BLACK (Ref # 1)	23025-029-10	1
BOLT HEX HEAD 5X12 (Ref # 2)	110N0512	1
BOLT HEX HEAD (Ref # 2)	110N0512A	1
WASHER SPRING 5MM (Ref # 3)	461F0500	2
BKT LICENSE PLT (Ref # 4)	23036-002	1
BKT LICENSE PLT BLACK (Ref # 4)	23036-007-10	1
SOCKET TAIL LAMP (Ref # 5)	23027-009	1
BULB,12V 32/3CP (Ref # 6)	92069-059	2
UNAVAILABLE IN PRICE BOOK (Ref # 7)	23028-006	1
LENS TAIL LAMP (Ref # 8)	23026-010	1
SCREW PAN HEAD 4X50 (Ref # 9)	220E0450	1
DAMPER TAIL LAMP SHCK (Ref # 10)	35039-001	1
DAMPER-TAIL LAMP SHCK (Ref # 10)	35039-005	4
WASHER SPRING 6MM (Ref # 11)	461F0600	1
NUT 6MM (Ref # 12)	311B0600	1
NUT 6MM (Ref # 13)	312B0600	1
BOLT-UPSET,6X20 (Ref # 14)	112G0620	1
BOLT-UPSET (Ref # 14)	112G0630	1
TAIL LAMP ASSY, FLAT BLACK (Ref # 1)	23024-020-21	1
.SCREW (Ref # 2)	220R0455	2
.LENS-TAIL LAMP (Ref # 3)	23026-022	1
.GASKET-TAIL LAMP LENS (Ref # 5)	23028-016	1
.CASE-TAIL LAMP (Ref # 6)	23027-029	1
.GASKET-TAIL LAMP CASE (Ref # 7)	23028-015	1
.BKT-LICENSE PLT,BLACK (Ref # 8)	23036-014-21	1
.BOLT (Ref # 9)	92001-111	1
.WASHER,8.5X20X1.6 (Ref # 10)	92022-1561	1
.DAMPER RUBBER (Ref # 11)	92075-091	1

1968 PARTS LIST

TAILLIGHT

ITEM NAME	PART NUMBER	QUANTITY
.WIRE IGNITION LEAD (Ref # 12)	26011-014	1
BRACKET-REFLECTOR (Ref # 13)	28013-002	1
REFLECTOR-REFLEX,REAR (Ref # 14)	28012-008	1
WASHER PLAIN 5MM (Ref # 15)	411B0500	1
NUT-CAP,5MM (Ref # 17)	322N0500	1