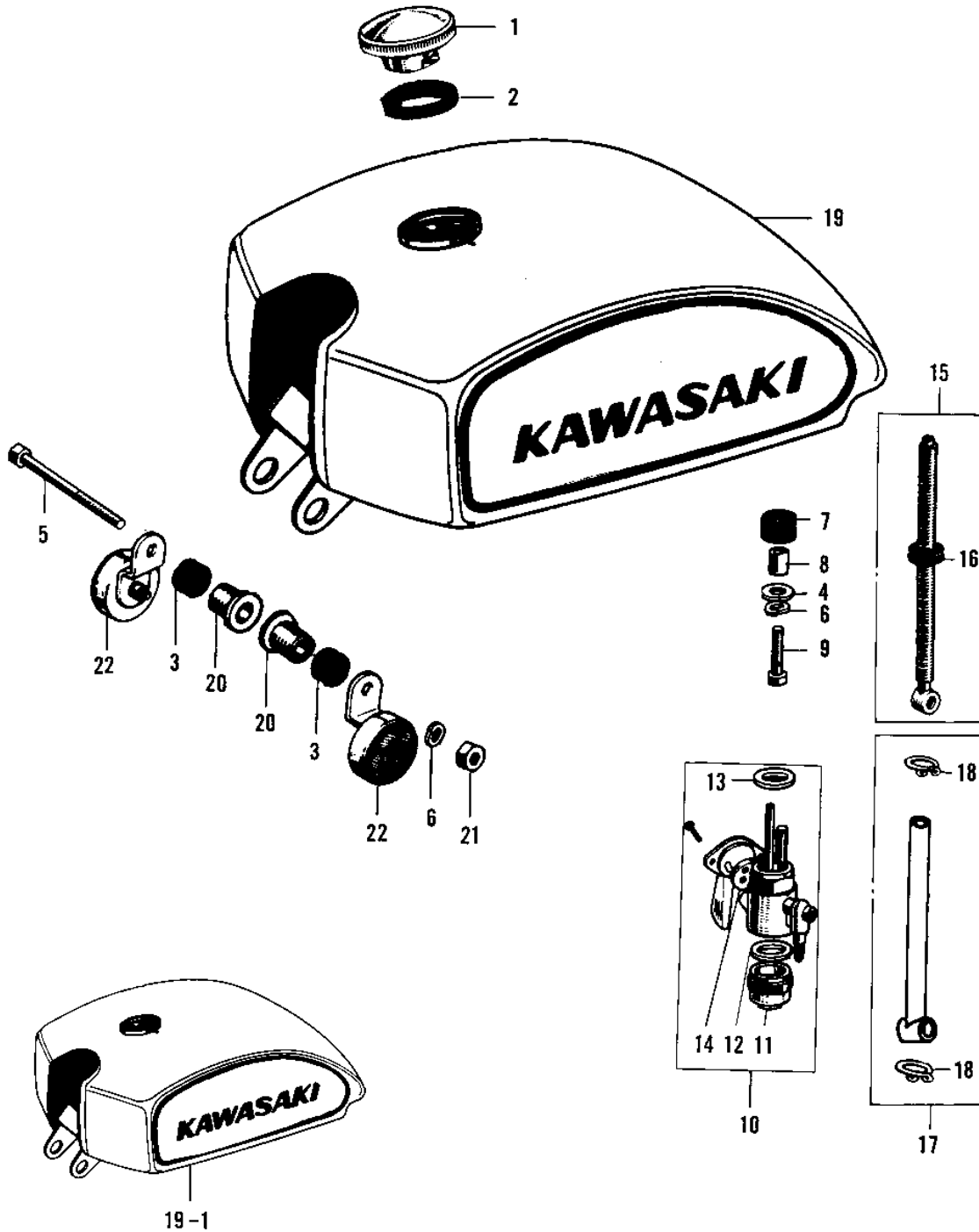


1968 PARTS DIAGRAM

FUEL TANK



1968 PARTS LIST

FUEL TANK

ITEM NAME	PART NUMBER	QUANTITY
CAP,FUEL TANK LOCKING (Ref # 1)	51048-006	1
UNAVAILABLE IN PRICE BOOK (Ref # 2)	51049-003	1
DAMPER RUBB TANK FRNT (Ref # 3)	92075-013	1
WASHER,8X26X2.3 (Ref # 4)	92022-1564	1
UNAVAILABLE IN PRICE BOOK (Ref # 5)	116B08112	1
WASHER SPRING 8MM (Ref # 6)	461F0800	1
DAMPER RUBB TANK REAR (Ref # 7)	92075-030	1
SPACER FUEL TANK REAR (Ref # 8)	92027-034	1
BOLT HEX HEAD 8X40 (Ref # 9)	116B0840	1
COCK ASSY,FUEL (Ref # 10)	51023-044	1
CUP FUEL COCK (Ref # 11)	51036-003	1
GASKET FUEL COCK CUP (Ref # 12)	51037-007	1
GASKET FUEL COCK JONT (Ref # 13)	51032-001	1
GASKET FUEL COCK LEV (Ref # 14)	92065-019	1
PIPE FUEL (Ref # 15)	51044-025	1
.GROMMET PIPE (Ref # 16)	92071-038	1
PIPE-FUEL (Ref # 17)	51044-030	1
.CLAMP FUEL PIPE (Ref # 18)	92037-010	1
TANK-FUEL,M.BLUE (Ref # 19)	51001-045-32	1
UNAVAILABLE IN PRICE BOOK (Ref # 19-1)	51001-045-34	1
COLLAR,FUEL TANK FITT (Ref # 20)	92027-1134	1
NUT,8MM (Ref # 21)	311B0800	1
REFLECTOR REFLEX (Ref # 22)	28001-004	1