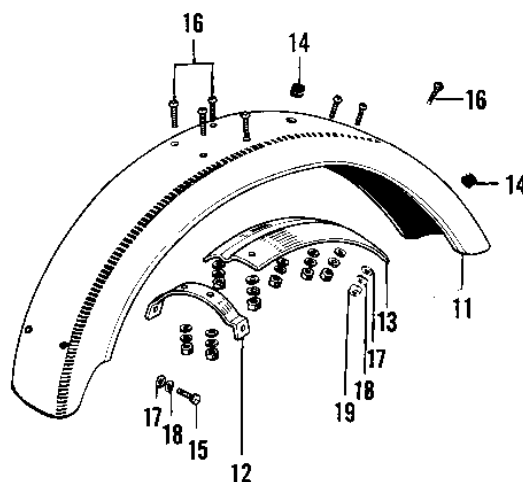
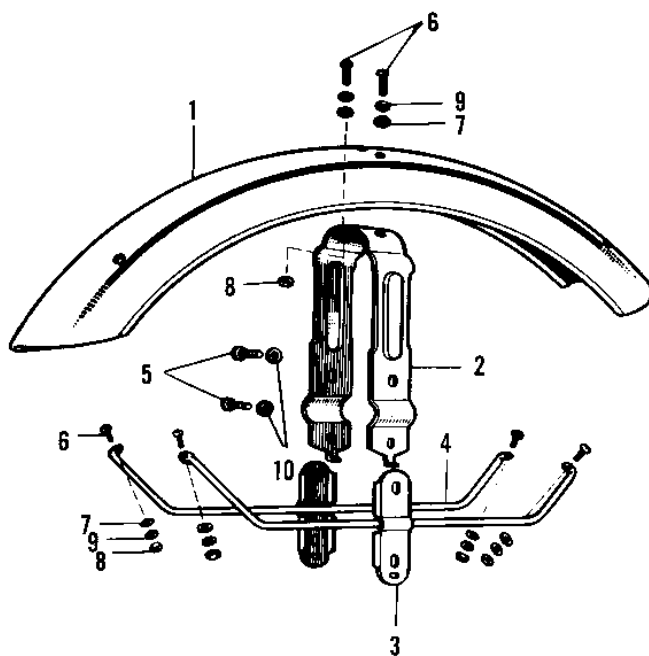


1968 PARTS DIAGRAM

FENDERS



1968 PARTS LIST

FENDERS

ITEM NAME	PART NUMBER	QUANTITY
FENDER-FR (Ref # 1)	35004-035	1
BRACE FRONT FENDER (Ref # 2)	35009-013	1
STAY FRONT FENDER L.H (Ref # 3)	35011-019	1
STAY FRONT FENDER R.H (Ref # 4)	35011-020	1
BOLT SMALL (Ref # 5)	114G0812	1
SCREW PAN HEAD 6X12 (Ref # 6)	220E0612	1
WASHER PLAIN 6MM (Ref # 7)	411B0600	1
NUT 6MM (Ref # 8)	312B0600	1
WASHER SPRING 6MM (Ref # 9)	461F0600	2
WASHER SPRING 8MM (Ref # 10)	461F0800	1
FENDER-RR (Ref # 11)	35022-040	1
BRACKET REAR FENDER (Ref # 12)	35025-012	1
GUSSET REAR FENDER (Ref # 13)	35034-009	1
GROMMET HARNESS 10MM (Ref # 14)	92071-019	1
BOLT-UPSET,6X12 (Ref # 15)	112G0612	1
SCREW PAN HEAD 6X14 (Ref # 16)	220E0614	1
WASHER PLAIN 6MM (Ref # 17)	410B0600	1
NUT 6MM (Ref # 19)	311B0600	1