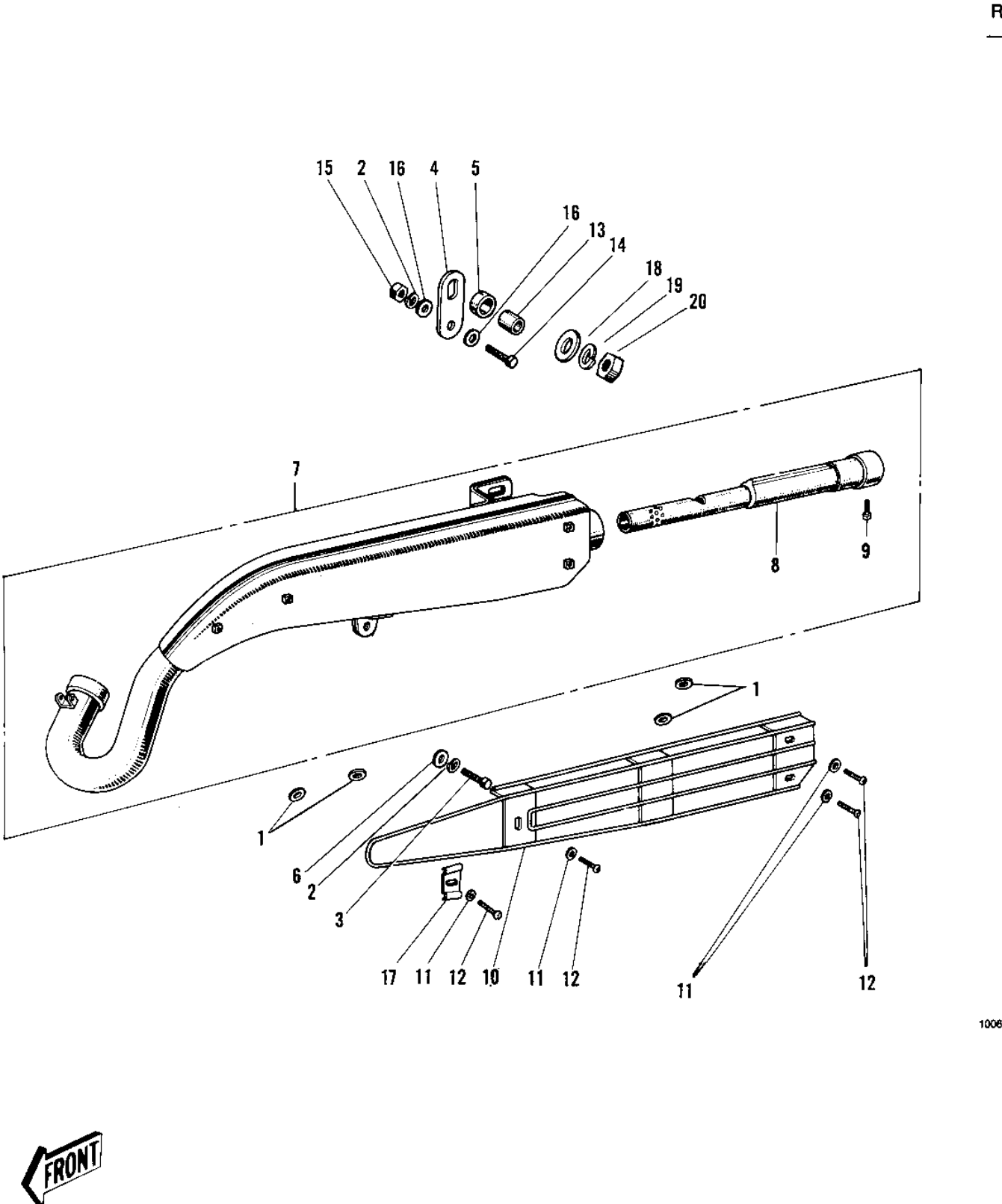


## 1968 PARTS DIAGRAM

MUFFLER



R

1006

## 1968 PARTS LIST

### MUFFLER

ITEM NAME	PART NUMBER	QUANTITY
INSULATOR (Ref # 1)	18065-006	1
WASHER SPRING 8MM (Ref # 2)	461F0800	2
BOLT-SMALL-UPSET,8X16 (Ref # 3)	115G0816	1
STAY MUFFLER (Ref # 4)	18061-021	1
UNAVAILABLE IN PRICE BOOK (Ref # 5)	92065-047	1
DAMPER RUBBER (Ref # 5)	92075-076	1
WASHER PLAIN 8MM (Ref # 6)	410B0800	1
MUFFLER ASSY (Ref # 7)	18002-050	1
SPARK ARRESTER COMP (Ref # 8)	18033-034	1
BOLT-UPSET,6X16 (Ref # 9)	112G0616	2
COVER MUFFLER (Ref # 10)	18057-030	1
WASHER PLAIN 6MM (Ref # 11)	411B0600	1
SCREW PAN HEAD 6X10 (Ref # 12)	220E0610	1
SPACER MOUNTING (Ref # 13)	92026-049	1
BOLT HEX HEAD 8X28 (Ref # 14)	114G0828	1
NUT,8MM (Ref # 15)	311B0800	1
WASHER PLAIN 8MM (Ref # 16)	411B0800	1
HOLDER MUFFLER COVER (Ref # 17)	18073-001	1
WASHER PLAIN 10MM (Ref # 18)	411B1000	1
WASHER SPRING 10MM (Ref # 19)	461F1000	1
NUT,10MM (Ref # 20)	314B1000	2