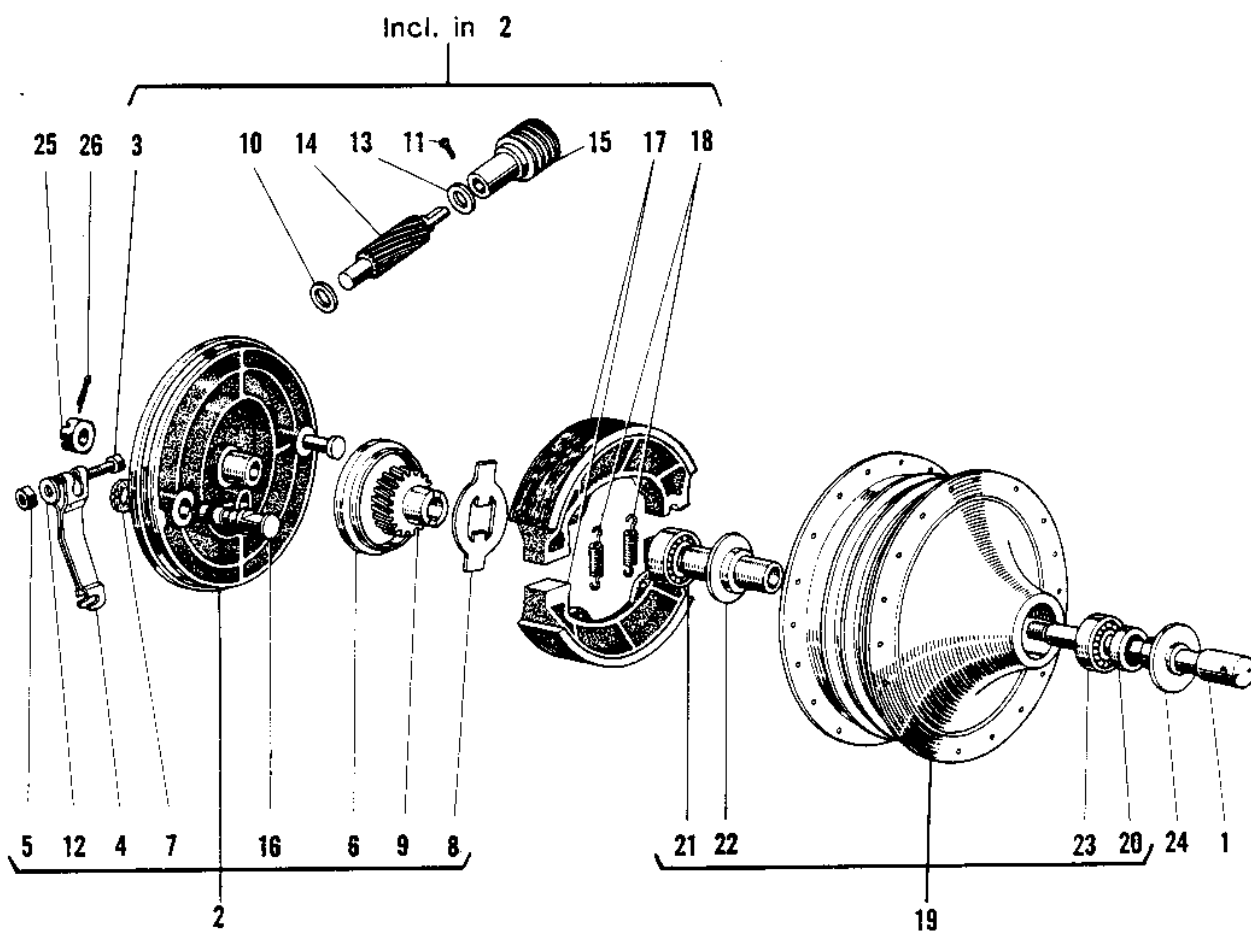


## 1968 PARTS DIAGRAM

FRONT HUB/BRAKE



## 1968 PARTS LIST

### FRONT HUB/BRAKE

ITEM NAME	PART NUMBER	QUANTITY
AXLE FRONT (Ref # 1)	41068-008	1
PANEL-ASY,FR BRK (Ref # 2)	41035-019	1
.BOLT 6X35 (Ref # 3)	110R0635	1
.LEVER FRONT BRAKE CAM (Ref # 4)	41053-003	1
.NUT 6MM (Ref # 5)	311B0600	1
.OIL SEAL F BRK PANEL (Ref # 6)	92050-010	1
.DUST SHIELD BRAKE CAM (Ref # 7)	41051-001	1
.RECIEVER GEAR (Ref # 8)	41064-003	1
.GEAR SPEEDOMETER (Ref # 9)	41059-008	1
.WASHER THRST SPD PINI (Ref # 10)	41063-001	1
.SCREW BUSHING SET (Ref # 11)	41070-001	1
SCREW-BUSHING NET (Ref # 11)	41070-004	1
.WASHER PLAIN 6MM (Ref # 12)	410B0600	1
.WASHER THRUST (Ref # 13)	41063-004	1
.PINION SPEEDOMETER (Ref # 14)	41060-008	1
.BUSH-SPEEDMETER CABLE (Ref # 15)	41062-004	1
.CAM SHAFT,REAR BRAKE (Ref # 16)	42026-021	1
.SPRING,BRAKE SHOE (Ref # 17)	92081-1766	1
.SPRING-BRAKE SHOE (Ref # 18)	42020-004	1
DRUM-ASSY,FR BRK,BUFF (Ref # 19)	41034-048-80	1
.OIL SEAL RR BRK DRUM (Ref # 20)	92050-008	1
.BEARING BALL #6202Z (Ref # 21)	601B6202Z	1
.SPACER FR HUB BEARING (Ref # 22)	41039-004	1
.BEARING BALL #6202 (Ref # 23)	601B6202	1
COLLAR FRONT HUB R.H (Ref # 24)	41069-004	1
NUT CASTLE 14MM (Ref # 25)	321B1400	1
PIN COTTER 3.0X35 (Ref # 26)	550D3035	1