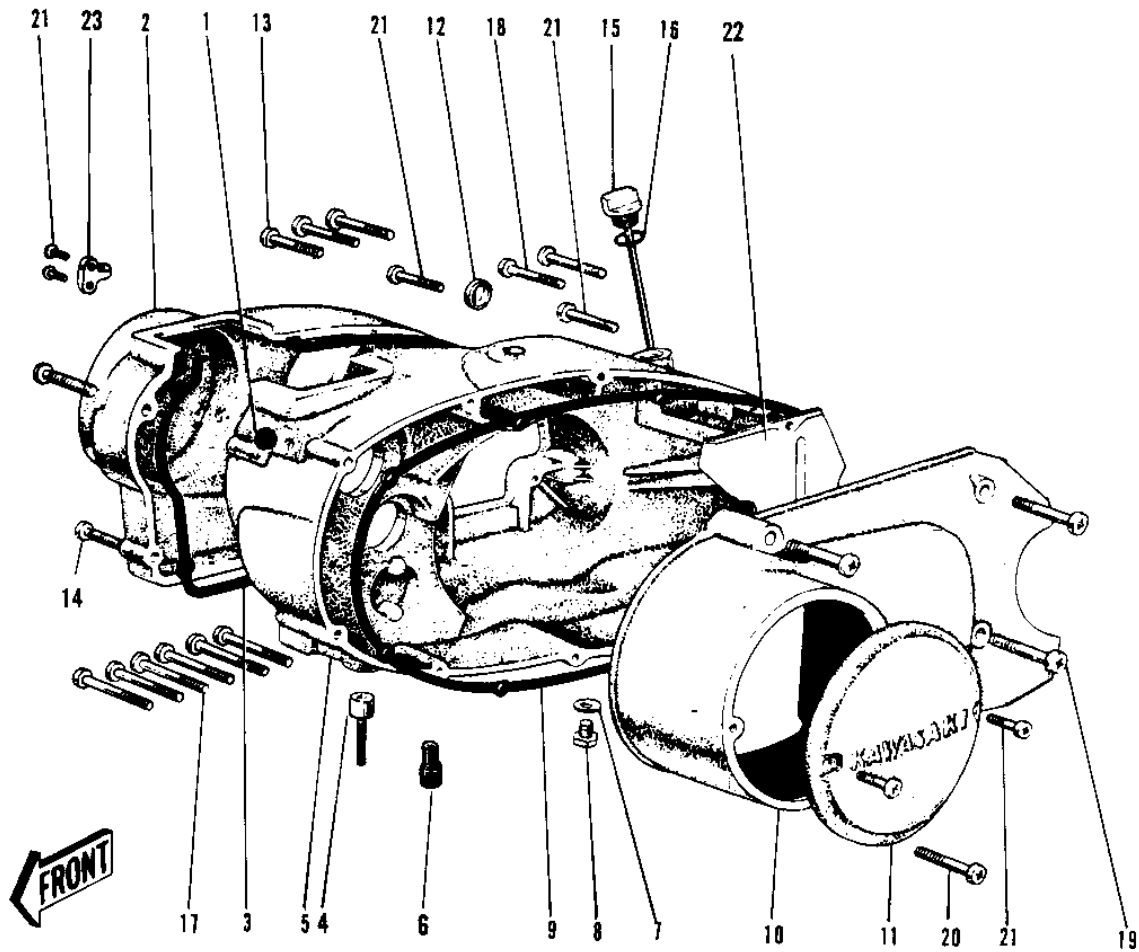
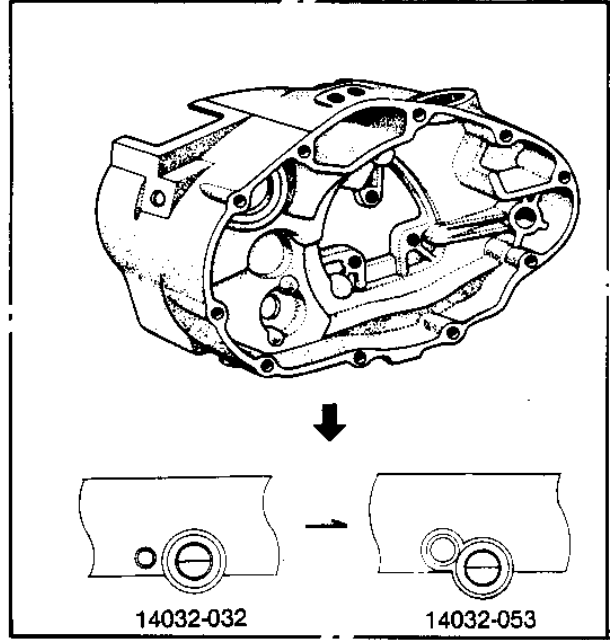


1968 PARTS DIAGRAM

ENGINE COVERS



1968 PARTS LIST

ENGINE COVERS

ITEM NAME	PART NUMBER	QUANTITY
CAP CARB MOUNT HOLE (Ref # 1)	14039-001	1
COVER,CARBURETOR (Ref # 2)	14030-063	1
GASKET CARBURETOR COV (Ref # 3)	14047-003	1
PIPE FUEL OVERFLOW (Ref # 4)	16116-001	1
EQ PANT FLGRN/BU/GY32 (Ref # 5)	14032-032A	1
COVER-R.H ENGINE (Ref # 5)	14032-053	1
DRAIN-OVERFLOW (Ref # 6)	16116-004	1
GASKET CHECK VALVE (Ref # 7)	92065-058	1
PLUG OIL DRAIN (Ref # 8)	92067-001	1
GASKET R.H ENGINE COV (Ref # 9)	14046-005	1
COVER L.H ENGINE (Ref # 10)	14031-022	1
COVER CONTACT BREAKER (Ref # 11)	14027-006	1
OIL SEAL SB16244 (Ref # 12)	92049-002	1
SCREW PAN HEAD 6X35 (Ref # 13)	220B0635	1
SCREW PAN HEAD 6X25 (Ref # 14)	220B0625	2
PLUG OIL FILLER (Ref # 15)	16115-003	1
"O" RING,20MM (Ref # 16)	670B2020	1
SCREW PAN HEAD 6X70 (Ref # 17)	220B0670	1
SCREW PAN HEAD 6X60 (Ref # 18)	220B0660	1
SCREW PAN HEAD 6X55 (Ref # 19)	220B0655	1
SCREW PAN HEAD 6X50 (Ref # 20)	220B0650	1
COVER DRV CHAIN BACK (Ref # 22)	14024-002	1
GUIDE OIL PUMP CABLE (Ref # 23)	14044-003	1