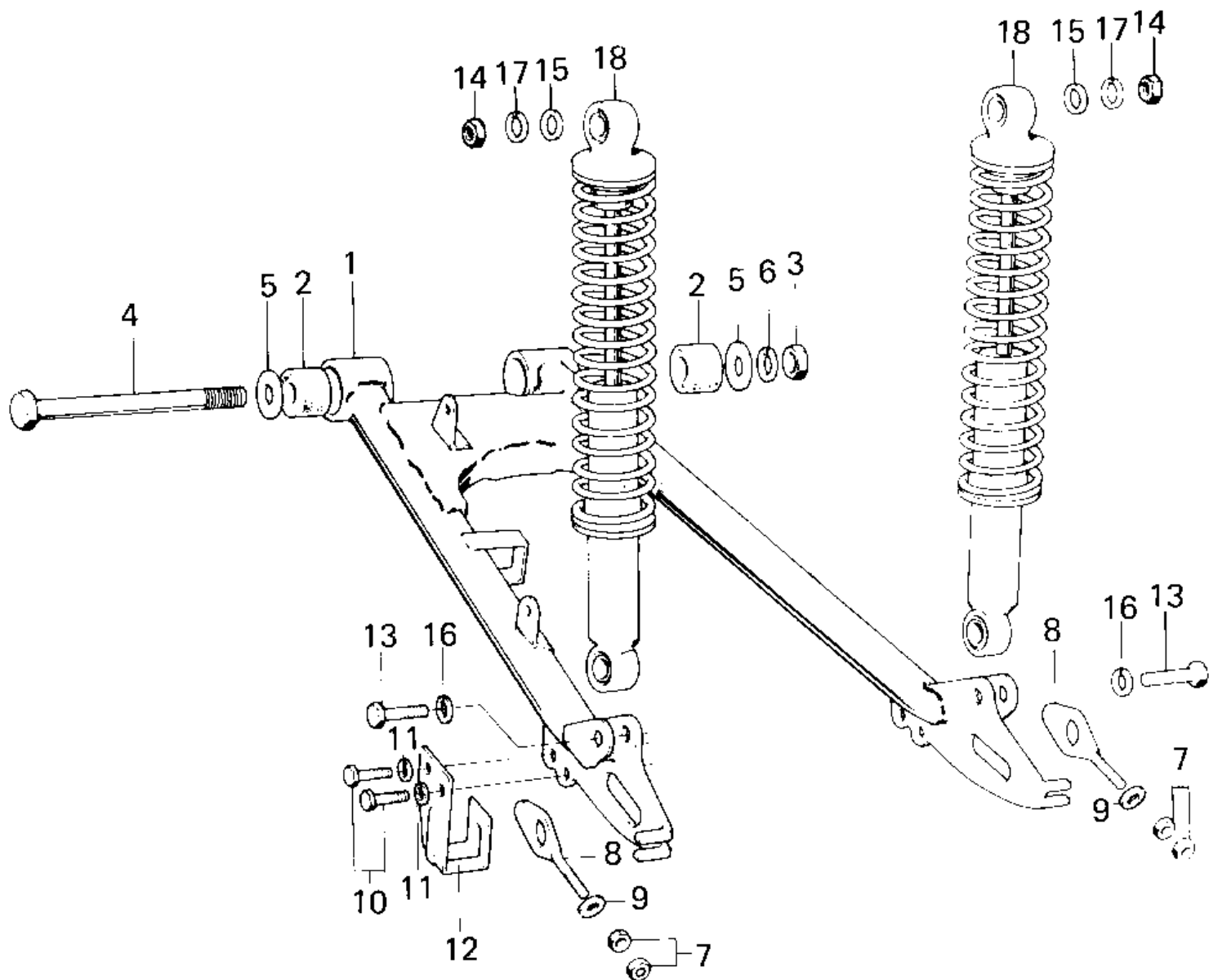


1980 KD80 PARTS DIAGRAM

SWING ARM/SWING ARM SHOCK ABSORBERS



1980 KD80 PARTS LIST

SWING ARM/SHOCK ABSORBERS

ITEM NAME	PART NUMBER	QUANTITY
ARM,SWINGING (Ref # 1)	33001-1045	1
BUSH SWING ARM SHAFT (Ref # 2)	92092-005	1
NUT-HEX-FINE (Ref # 3)	314B1200	1
SHAFT,SWING ARM PIVOT (Ref # 4)	33032-043	1
WASHER PLAIN 12MM (Ref # 5)	410B1200	2
WASHER SPRING 12MM (Ref # 6)	461F1200	2
NUT 6MM (Ref # 7)	311B0600	1
ADJUSTER CHAIN (Ref # 8)	33040-008	1
WASHER,6.5X16X2 (Ref # 9)	92022-1565	1
BOLT-UPSET 6X14 (Ref # 10)	112B0614	1
WASHER SPRING 6MM (Ref # 11)	461F0600	1
GUARD,CHAIN (Ref # 12)	55020-012	1
BOLT-UPSET,10X30 (Ref # 13)	112G1030	1
NUT-HEX-FINE,12MM (Ref # 14)	315B1200	1
WASHER SPRING 10MM (Ref # 16)	461F1000	1
SHOCKABSORBER (Ref # 18)	45014-1214	1