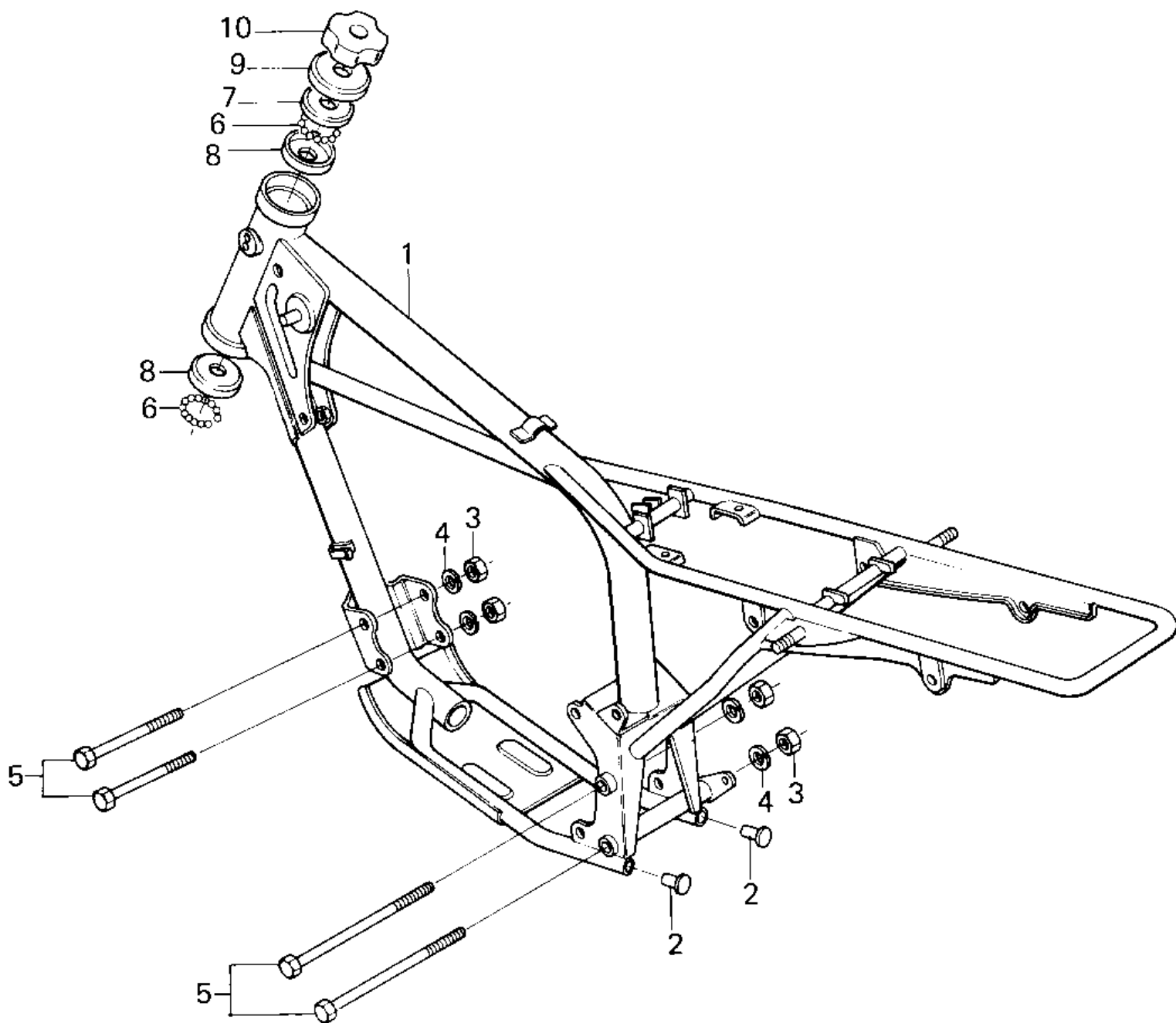


1980 KD80 PARTS DIAGRAM

FRAME/FRAME FITTINGS



1980 KD80 PARTS LIST

FRAME/FRAME FITTINGS

ITEM NAME	PART NUMBER	QUANTITY
FRAME (Ref # 1)	32002-1122	1
CAP PIPE END (Ref # 2)	32112-001	1
NUT,10MM (Ref # 3)	314B1000	1
WASHER SPRING 10MM (Ref # 4)	461F1000	1
BOLT,FLANGED,10X115 (Ref # 5)	92001-1603	1
BALL STEEL 3/16' (Ref # 6)	600A0600	1
CONE UPPER BEARING (Ref # 7)	92047-005	1
RACE BEARING (Ref # 8)	92048-004	1
CAP STEERING STEM (Ref # 9)	46098-004	1
NUT STEERING STEM LCK (Ref # 10)	92090-006	1