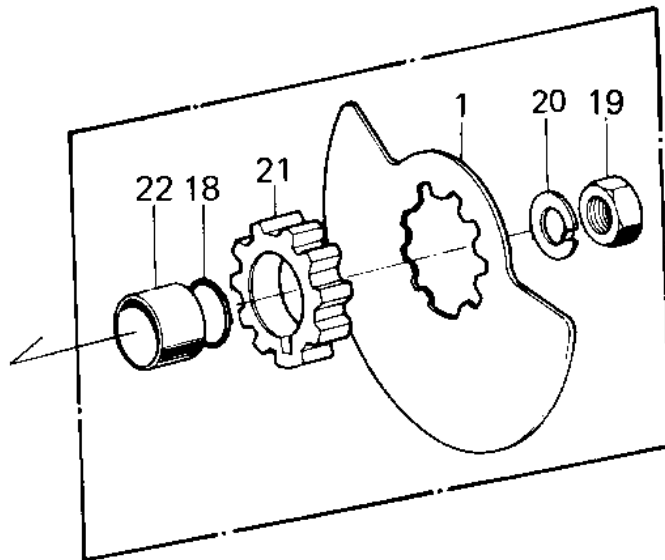
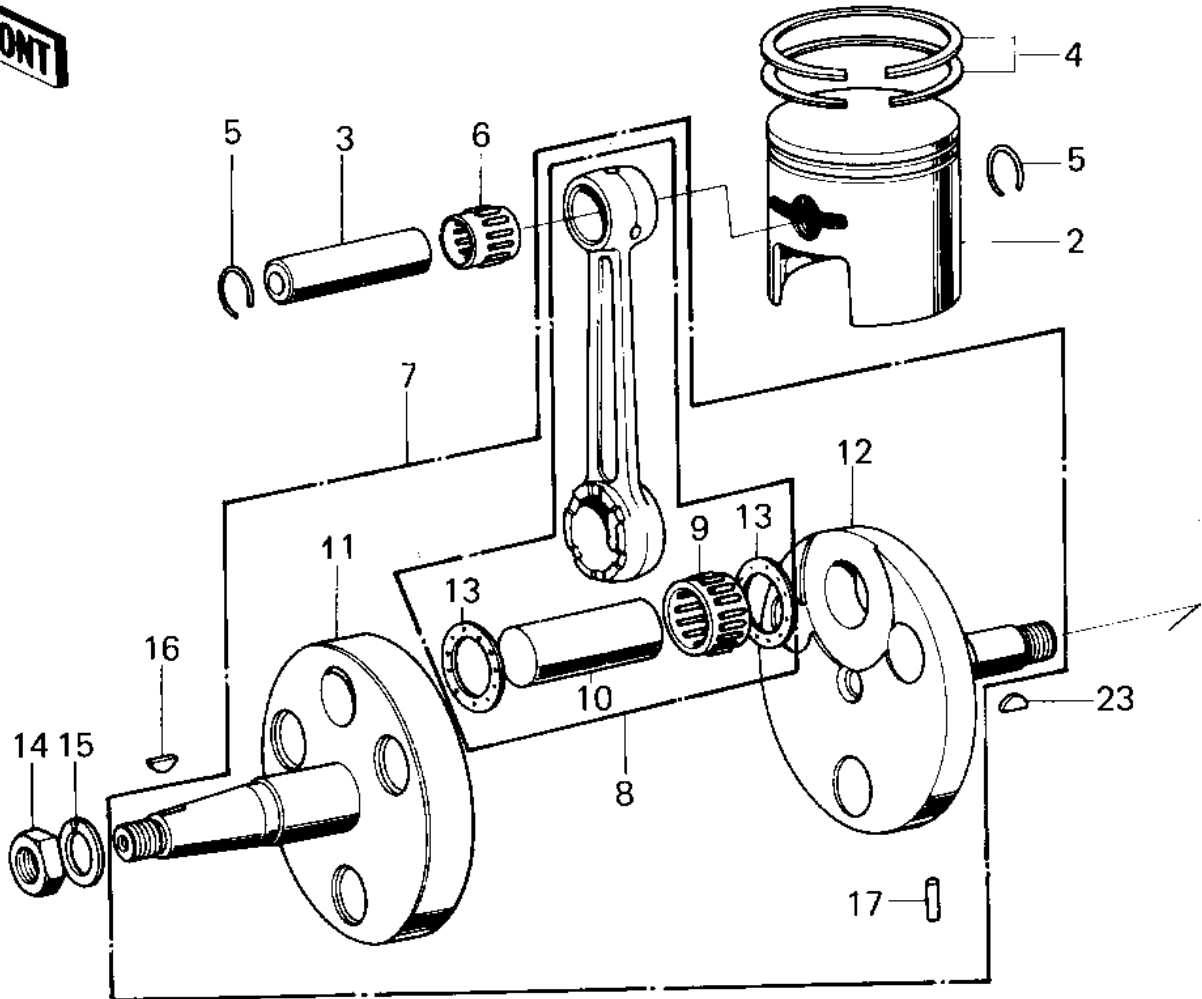


1980 KD80 PARTS DIAGRAM

CRANKSHAFT/PISTON/ROTARY VALVE



1980 KD80 PARTS LIST

CRANKSHAFT/PISTON/ROTARY VALVE

ITEM NAME	PART NUMBER	QUANTITY
VALVE,ROTARY DISC (Ref # 1)	12002-030	1
PISTON,STD (Ref # 2)	13001-061	1
PISTON,0.020 O/S (Ref # 2)	13029-061	1
PISTON,0.040 O/S (Ref # 2)	13027-059	1
PIN-PISTON (Ref # 3)	13002-003	1
RING SET,STD (Ref # 4)	13008-047	1
RING SET,0.020 O/S (Ref # 4)	13025-051	1
RING SET,0.040 O/S (Ref # 4)	13024-052	1
CIRCLIP PISTON PIN (Ref # 5)	92036-003	1
BEARING,SMALL END (Ref # 6)	13033-030	1
CRANK&CONROD ASSY (Ref # 7)	13036-050	1
CONNECTING ROD SET (Ref # 8)	13044-5015	2
BEARING,BIG END (Ref # 9)	13034-034	1
CRANK PIN (Ref # 10)	13035-025	1
CRANKSHAFT,L.H (Ref # 11)	13037-068	1
CRANKSHAFT,R.H (Ref # 12)	13038-057	1
WASHER-SIDE (Ref # 13)	92025-047	1
NUT,10MM (Ref # 14)	314B1000	1
WASHER SPRING 10MM (Ref # 15)	461F1000	1
WOODRUFF KEY (Ref # 16)	510A3200	1
PIN DOWEL 4X10 (Ref # 17)	610A0410	1
"O" RING,16MM (Ref # 18)	670B2016	1
NUT 12MM (Ref # 19)	92015-006	1
WASHER LOCK 12MM (Ref # 20)	92024-003	1
COLLAR,ROTARY VALVE (Ref # 21)	92027-1245	2
COLLAR,CRANKSHAFT (Ref # 22)	92027-285	1
WOODRUFF KEY PRY PINI (Ref # 23)	92038-003	1